

# Exhust Fan



We help our customers  
**SUCCEED**



## CONTENTS

FEATURES, INSTALLATION AND SERVICE RECOMMENDATIONS..... 3

FAN SELECTION PROCEDURE (EXAMPLE)..... 3-5

FAN PERFORMANCE TABLES (DOUBLE INLET CENTRIFUGAL FAN)..... 6-25

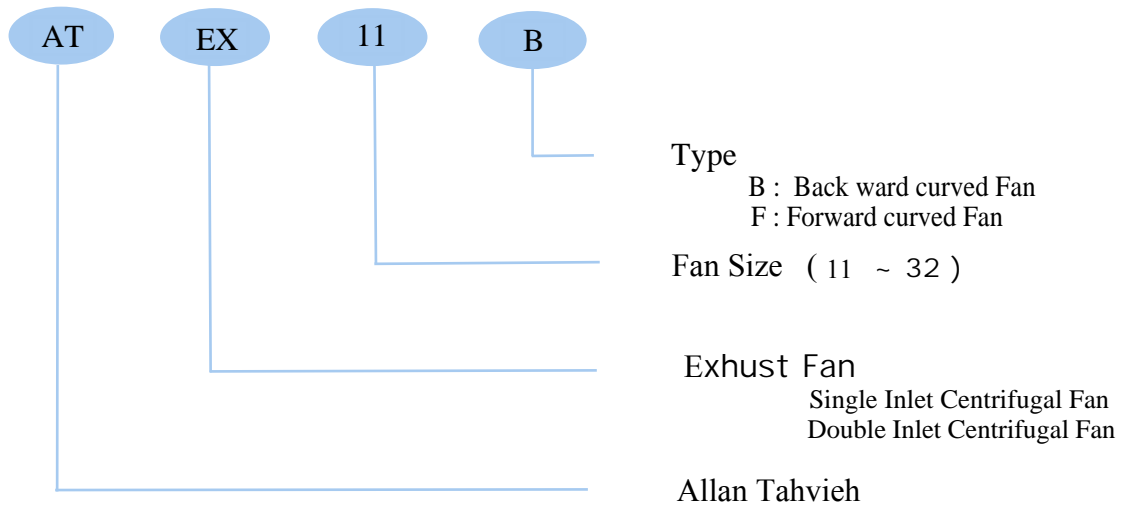
FAN PERFORMANCE TABLES (SINGLE INLET CENTRIFUGAL FAN)..... 26-35

DIMENSIONS (DOUBLE INLET CENTRIFUGAL FANS)..... 36

DIMENSIONS (SINGLE INLET CENTRIFUGAL FANS)..... 37-38

CONNECTION TYPE (SINGLE INLET CENTRIFUGAL FANS)..... 39

## NOMENCLATURE



Please fill in the boxes with the appropriate characters at the time of placing orders.

## FEATURES

Allan Tahviah F.W & B.W curved centrifugal fans deliver air with high efficiency and dependability. In F.W, Wheels & Cages are made of heavy gauge galvanized steel to insure longer operating life, wheels are statically and dynamically balanced.

Wheel hubs are available in cast iron with different bore sizes, key ways are also made as required. Separate components or ready- to install assemblies are available upon request.

Due to different performance requirements, the following three wheel designs are offered:

Tip Speed (FPM)	Approx. Required Static Pressure (In.W.G)	Peripheral Constructions
6000	4.5	Standard
7000	6.0	Reinforced
8000	8.0	Extra Reinforced

## INSTALLATION AND SERVICE RECOMMENDATIONS

### BEARING LUBRICATION

- 1- For grease lubricated bearings use normal to high temperature grease.
- 2- In dirty atmospheres or high temperature conditions lubricate bearings every three months and for clean and normal temperature condition semi-annually.

### DRIVE SYSTEM

- Fan and motor pulley sheaves must be aligned axially.
- Motor and fan drive shafts must be parallel.
- Belts must be smooth and without any high spots.
- Belts must be matched and properly tensioned.

**EXAMPLE****GIVEN:**

One unit of forward curve double inlet centrifugal fan

Air Flow Rate = 10000 CFM

Static Pressure = 1.5 InWG

Air Temperature = 150°F

Altitude = 4000 ft above sea level

Application type = residential purpose

**NOTE:**

In order to determine the model of the double inlet centrifugal fan, use the table7.

**DETERMINE:**

From table1 at 1.5 InWG S.P., the maximum velocity is 2000 FPM. The approximate fan outlet area:

$$\text{Outlet Area} = \frac{\text{Air Flow Rate}}{\text{Air Velocity}} = \frac{10000}{2000} = 5.0 \text{ ft}^2$$

From table3 the nearest outlet area corresponds to a model of ATEX-22 F from performance correction factor table5&6 the given condition.

D.F. altitude = 0.863, D.F. Temp = 0.869 => D.F. Effective = 0.75

$$\text{Equivalent S.P.} = \frac{\text{Static Pressure}}{\text{D.F. Effective}} = \frac{1.5}{0.75} = 2 \text{ InWG}$$

From performance table for double inlet centrifugal fan size on page 12 for air flow rate of 10000 CFM @ the req. Equivalent static pressure, fan rpm is found to be 628 and the corresponding equivalent BHP is also given as 5.16

In order to determine the BHP @ the specified condition, multiply the required equivalent BHP by the correction factor above.

BHP = 5.16 x 0.75 = 3.87

Motor Power Required = BHP x 1.25 = 3.87 x 1.25 = 4.84 hp, therefore a 5.5 hp electric motor is chosen.

**NOTE:**

1- BHP values indicate the fan absorbed power. In order to determine motor power required multiply the BHP by a factor of 1.25.

2- It is recommended that each fan be equipped with an electric motor of its own but in cases where the requirement calls for fans working with one electric motor, the duplex fan tables must be used.

3- In cases where the fan (s) is to be enclosed in a box, close attention must be given so that the necessary air intake space is available. Therefore, it is recommended that an amount of space equal to one fan wheel diameter be considered on either side of fan (s) inlet.

In case of such space limitations, factors from table 4 must be implemented into fan (s) technical specifications such as power rating (BHP) and velocity (RPM).

The suggested fan outlet velocity table below, indicates nominal ranges in fan outlet velocity & static pressure over which Allan Tahviah fan perform most satisfactorily.

### SUGGESTED FAN OUTLET VELOCITY

TABLE1

Static Pressure (InWG)	Residential Purpose		Industrial Purpose	
	Min.	Max.	Min.	Max.
0.5	800	1700	1200	2200
0.75	900	1800	1400	2400
1	900	2000	1600	2600
1.5	1000	2000	1800	2800
2	1100	2000	2000	3000
2.5	1200	2200	2100	3200
3	1300	2400	2200	3300
3.5	1600	2600	2300	3400
4	1800	2800	2500	3500
4.5	2000	3000	2600	3600
5	2200	3200	2800	3800
6	2400	3600	3000	4200
7	2600	3800	3200	4300
8	2800	4000	3500	4400

### SINGLE INLET FAN

OUTLET AREA TABLE2

Model	Outlet Area (ft <sup>2</sup> )
ATEX-11	0.72
ATEX-13	0.82
ATEX-14	1.20
ATEX-16	1.33
ATEX-17	1.54
ATEX-19	2.09
ATEX-22	2.54
ATEX-26	3.33
ATEX-29	4.12
ATEX-32	4.96

### DOUBLE INLET FAN

OUTLET AREA TABLE3

Model	Outlet Area (ft <sup>2</sup> )
ATEX-11	1.43
ATEX-13	1.63
ATEX-14	2.40
ATEX-16	2.66
ATEX-17	3.07
ATEX-19	4.18
ATEX-22	5.07
ATEX-26	6.65
ATEX-29	8.23
ATEX-32	9.91

### FAN CAPACITY MULTIPLIERS

TABLE4

For Various Clearance Factors		
Clearance Factors	RPM	BHP
1.0	1.0	1.0
0.9	1.02	1.03
0.8	1.03	1.05
0.7	1.04	1.07
0.6	1.05	1.08
0.5	1.06	1.09
0.4	1.07	1.11

### DENSITY FACTOR VS. TEMPERATURE

TABLE6

Temperature (°F)	Density Factor
-25	1.218
0	1.152
25	1.093
50	1.039
70	1
100	0.946
125	0.905
150	0.869
175	0.835
200	0.803
225	0.773
250	0.746

### FAN CAPACITY MULTIPLIERS

TABLE5

Altitude(ft)	Density Factor
0	1
1000	0.964
2000	0.930
3000	0.896
4000	0.863
5000	0.832
6000	0.801
7000	0.771

$$D.F. \text{ Effective} = D.F. \text{ Table5} \times D.F. \text{ Table6}$$

$$\text{Equivalent S.P.} = \frac{\text{S.P.}}{D.F. \text{ Effective}}$$

## Example 2

### GIVEN:

One unit of single inlet centrifugal fan  
 Air Flow Rate = 4650 CFM  
 Static pressure = 1 InWG  
 Air Temperature = 150°F  
 Altitude = 4000 ft above sea level  
 Application type = Industrial purpose

### NOTE:

In order to determine the model of the double inlet centrifugal fan, use the table 8.

### DETERMINE:

From table 1 at 1 InWG S.P., the maximum velocity is 2600 FPM. The approximate fan outlet area:

$$\text{Outlet Area} = \frac{\text{Air Flow Rate}}{\text{Air Velocity}} = \frac{4650}{2600} = 1.79 \text{ ft}^2$$

From table 2 the nearest outlet area corresponds to a model of ATEX-19 F from performance correction factor table 5 & 6 the given condition.

D.F. Altitude = 0.863, D.F. Temp = 0.869, therefore D.F. Effective = 0.75

$$\text{Equivalent S.P.} = \frac{\text{Static Pressure}}{\text{D.F. Effective}} = \frac{1}{0.75} = 1.33 \text{ InWG}$$

From performance table for single inlet centrifugal fan size on page 19 for air flow rate of 4650 CFM @ the req. Equivalent static pressure, fan RPM is found to be 674 and the corresponding equivalent BHP is also given as 2.04.

In order to determine the BHP @ the specified condition, multiply the required equivalent BHP by the correction factor above.

$$\text{BHP} = 2.04 \times 0.75 = 1.53$$

$$\text{Motor power required} = \text{BHP} \times 1.25 = 1.53 \times 1.25 = 1.92 \text{ hp.}$$

Therefore A2 hp electric motor is chosen.

### NOTE:

BHP values indicate the fan absorbed power. In order to determine motor power required multiply the BHP by a factor of 1.25.

## ATEX-11 Double Inlet Centrifugal Fan - Single Fan

Outlet Area= 1.43ft<sup>2</sup> Wheel Dia.=11.375Inch Tip Speed=RPM×2.99  
Max Wheel RPM: Des.1= 2007, Des.2= 2341, Des.3= 2675

Table 7

Volume of Air (CFM)	Outlet Velocity (FPM)	0.5 InWG		0.75 InWG		1.0 InWG		1.25 InWG		1.5 InWG		2.0 InWG		2.5 InWG	
		RPM	BHP	RPM	BHP	RPM	BHP	RPM	BHP	RPM	BHP	RPM	BHP	RPM	BHP
1000	694	640	0.13												
1100	764	649	0.14	776	0.22	915	0.29								
1300	903	674	0.18	790	0.26	908	0.34	1016	0.43						
1500	1041	711	0.24	811	0.31	911	0.40	1014	0.49	1108	0.59				
1700	1180	754	0.30	844	0.38	932	0.47	1020	0.56	1110	0.67	1283	0.90		
1900	1319	798	0.38	884	0.47	963	0.56	1041	0.66	1120	0.76	1281	1.00	1436	1.26
2100	1458	844	0.48	927	0.57	1001	0.67	1072	0.77	1143	0.87	1286	1.11	1432	1.38
2300	1597	890	0.59	971	0.69	1043	0.79	1110	0.90	1175	1.01	1303	1.24	1435	1.51
2500	1736	938	0.72	1017	0.83	1087	0.94	1151	1.05	1212	1.16	1330	1.40	1450	1.67
2700	1875	986	0.86	1063	0.98	1132	1.10	1194	1.22	1253	1.34	1364	1.59	1474	1.86
2900	2014			1110	1.16	1177	1.29	1238	1.41	1295	1.54	1402	1.81	1505	2.08
3100	2153			1158	1.35	1223	1.49	1284	1.63	1339	1.77	1443	2.04	1540	2.33
3300	2291			1206	1.56	1270	1.72	1330	1.87	1384	2.02	1485	2.31	1579	2.60
3500	2430					1318	1.98	1376	2.13	1430	2.22	1529	2.60	1620	2.91
3700	2569					1366	2.24	1422	2.42	1476	2.59	1573	2.91	1663	3.24
3900	2708							1470	2.74	1522	2.92	1619	3.26	1707	3.60
4200	2916							1518	3.07	1593	3.47	1688	3.84	1774	4.21
4600	3194									1688	4.51	1781	4.72	1865	5.13
5000	3472											1876	5.74	1957	6.18
5400	3750											1972	6.83	2051	7.39
5600	3888													2099	8.04

Volume of Air (CFM)	Outlet Velocity (FPM)	3.0 InWG		3.5 InWG		4.0 InWG		5.0 InWG		6.0 InWG		7.0 InWG		8.0 InWG	
		RPM	BHP	RPM	BHP	RPM	BHP	RPM	BHP	RPM	BHP	RPM	BHP	RPM	BHP
1000	694														
1100	764														
1300	903														
1500	1041														
1700	1180														
1900	1319														
2100	1458														
2300	1597	1562	1.79												
2500	1736	1571	1.97	1687	2.28										
2700	1875	1584	2.16	1696	2.48	1805	2.81								
2900	2014	1607	2.38	1710	2.70	1814	3.05	2022	3.80						
3100	2153	1636	2.63	1731	2.95	1827	3.30	2024	4.06						
3300	2291	1670	2.92	1759	3.24	1848	3.59	2031	4.34	2212	5.17				
3500	2430	1707	3.23	1791	3.56	1876	3.91	2046	4.67	2219	5.51				
3700	2569	1747	3.58	1828	3.92	1908	4.28	2068	5.03	2230	5.87	2391	6.75		
3900	2708	1789	3.95	1867	4.31	1944	4.67	2096	5.44	2247	6.27	2402	7.18	2547	7.88
4200	2916	1854	4.59	1929	4.96	2003	5.35	2146	6.14	2286	6.98	2428	7.89	2572	8.87
4600	3194	1943	5.54	2016	5.94	2086	6.36	2220	7.19	2350	8.06	2478	8.98	2608	9.96
5000	3472	2034	6.63	2106	7.07	2173	7.51	2302	8.40	2424	9.32	2543	10.27	2662	11.26
5400	3750	2126	7.87	2197	8.35	2263	8.82	2388	9.78	2506	10.75	2618	11.74	2724	12.66
5600	3888	2173	8.53	2243	9.03	2309	9.52	2432	10.51	2548	11.51	2658	12.52		

6

## ATEX-11 Double Inlet Centrifugal Fan - Duplex Fan

Outlet Area= 2.86ft<sup>2</sup> Wheel Dia.=11.375Inch Tip Speed=RPM×2.99  
 Max Wheel RPM: Des.1= 2007, Des.2= 2341, Des.3= 2675

Table7(Cont.)

Volume of Air (CFM)	Outlet Velocity (FPM)	0.5 InWG		0.75 InWG		1.0 InWG		1.25 InWG		1.5 InWG		2.0 InWG		2.5 InWG	
		RPM	BHP	RPM	BHP	RPM	BHP	RPM	BHP	RPM	BHP	RPM	BHP	RPM	BHP
2000	694	676	0.30												
2200	764	672	0.32	834	0.49										
2600	903	676	0.39	823	0.57	963	0.78	1085	0.98						
3000	1041	702	0.49	822	0.66	951	0.88	1073	1.11	1185	1.37				
3400	1180	741	0.62	839	0.79	947	1.00	1062	1.24	1172	1.51	1368	2.06		
3800	1319	785	0.79	871	0.96	960	1.16	1059	1.39	1161	1.66	1357	2.26		
4200	1458	831	0.99	911	1.17	989	1.36	1071	1.59	1159	1.84	1346	2.46	1520	3.14
4600	1597	879	1.22	955	1.42	1026	1.62	1097	1.84	1172	2.08	1338	2.68	1507	3.38
5000	1736	927	1.49	1001	1.70	1069	1.92	1133	2.14	1199	2.38	1341	2.95	1497	3.64
5400	1875	976	1.77	1049	2.03	1113	2.26	1174	2.50	1234	2.74	1358	3.29	1496	3.95
5800	2014			1097	2.40	1159	2.65	1217	2.90	1274	3.11	1386	3.70	1506	4.33
6200	2153			1145	2.81	1207	3.09	1263	3.53	1317	3.58	1421	4.17	1528	4.79
6600	2291			1194	3.24	1255	3.57	1310	3.85	1362	4.14	1460	4.71	1559	5.33
7000	2430					1303	4.10	1357	4.41	1408	4.71	1503	5.31	1595	5.94
7400	2569					1351	4.66	1405	5.02	1455	5.34	1547	5.97	1635	6.62
7800	2708							1454	5.68	1503	6.03	1593	6.70	1678	7.37
8400	2916							1502	6.37	1575	7.20	1663	7.93	1745	8.66
9200	3194									1671	8.82	1759	9.78	1837	10.58
10000	3472											1855	11.90	1932	12.79
10800	3750											1952	14.17	2028	15.31
11200	3888													2076	16.65

7

Volume of Air (CFM)	Outlet Velocity (FPM)	3.0 InWG		3.5 InWG		4.0 InWG		5.0 InWG		6.0 InWG		7.0 InWG		8.0 InWG	
		RPM	BHP	RPM	BHP	RPM	BHP	RPM	BHP	RPM	BHP	RPM	BHP	RPM	BHP
2000	694														
2200	764														
2600	903														
3000	1041														
3400	1180														
3800	1319														
4200	1458														
4600	1597	1665	4.12												
5000	1736	1652	4.41	1797	5.22										
5400	1875	1641	4.72	1784	5.56	1920	6.42								
5800	2014	1637	5.07	1773	5.92	1907	6.82	2154	8.69						
6200	2153	1644	5.50	1768	6.32	1896	7.23	2141	9.18						
6600	2291	1662	6.02	1773	6.80	1890	7.68	2128	9.68	2353	11.78				
7000	2430	1689	6.62	1789	7.38	1894	8.22	2118	10.20	2339	12.37				
7400	2569	1722	7.30	1813	8.04	1908	8.86	2113	10.77	2326	12.97	2531	15.13		
7800	2708	1760	8.07	1844	8.80	1930	9.60	2117	11.44	2317	13.61	2518	16.01	2716	18.08
8400	2916	1823	9.38	1900	10.13	1978	10.93	2142	12.70	2319	14.78	2505	17.14	2691	19.69
9200	3194	1911	11.36	1982	12.16	2052	12.97	2195	14.71	2346	16.68	2507	18.93	2675	21.45
10000	3472	2003	13.65	2071	14.51	2137	15.37	2266	17.15	2398	19.07	2536	21.21	2683	23.60
10800	3750	2098	16.26	2164	17.19	2227	18.12	2348	19.98	2468	21.93	2589	24.02	2705	26.01
11200	3888	2146	17.65	2211	18.62	2273	19.58	2391	21.50	2506	23.48	2621	25.56		



## ATEX-13 Double Inlet Centrifugal Fan - Single Fan

Outlet Area= 1.63ft<sup>2</sup> Wheel Dia.=13Inch Tip Speed=RPM×3.4  
Max Wheel RPM: Des.1= 1764, Des.2= 2059, Des.3= 2353

Table7(Cont.)

Volume of Air (CFM)	Outlet Velocity (FPM)	0.5 InWG		0.75 InWG		1.0 InWG		1.25 InWG		1.5 InWG		2.0 InWG		2.5 InWG	
		RPM	BHP	RPM	BHP	RPM	BHP	RPM	BHP	RPM	BHP	RPM	BHP	RPM	BHP
1200	736	571	0.15	717	0.25										
1300	797	572	0.16	709	0.26	835	0.36								
1500	920	581	0.20	700	0.29	819	0.40	928	0.51						
1700	1043	600	0.24	703	0.33	808	0.44	913	0.56	1010	0.69				
1900	1166	625	0.29	717	0.38	809	0.49	903	0.61	997	0.75				
2100	1288	653	0.35	737	0.44	819	0.55	903	0.67	989	0.81	1154	1.10		
2300	1411	683	0.42	762	0.52	837	0.63	913	0.75	990	0.89	1145	1.19	1295	1.54
2500	1534	714	0.50	790	0.61	860	0.72	929	0.85	999	0.98	1141	1.28	1284	1.63
2700	1656	745	0.59	820	0.71	886	0.83	950	0.95	1014	1.09	1144	1.39	1276	1.74
2900	1779	777	0.69	850	0.82	914	0.95	975	1.08	1035	1.21	1154	1.52	1275	1.86
3100	1902			880	0.94	944	1.08	1002	1.22	1058	1.36	1170	1.66	1282	2.00
3300	2025			911	1.08	974	1.22	1030	1.37	1084	1.52	1189	1.83	1294	2.17
3500	2147			943	1.24	1004	1.38	1060	1.54	1112	1.69	1212	2.01	1310	2.36
3800	2331					1051	1.66	1106	1.83	1156	1.99	1252	2.33	1343	2.69
4200	2577							1168	2.26	1217	2.44	1308	2.82	1392	3.19
4600	2822									1279	2.97	1367	3.38	1448	3.77
5000	3067									1342	3.58	1428	4.02	1507	4.45
5400	3313											1490	4.75	1567	5.21
5800	3558											1554	5.57	1629	6.07
6200	3804													1692	7.03
6400	3926													1724	7.54

Volume of Air (CFM)	Outlet Velocity (FPM)	3.0 InWG		3.5 InWG		4.0 InWG		5.0 InWG		6.0 InWG		7.0 InWG		8.0 InWG	
		RPM	BHP	RPM	BHP	RPM	BHP	RPM	BHP	RPM	BHP	RPM	BHP	RPM	BHP
1200	736														
1300	797														
1500	920														
1700	1043														
1900	1166														
2100	1288														
2300	1411														
2500	1534	1422	2.01												
2700	1656	1409	2.12	1536	2.53										
2900	1779	1400	2.24	1523	2.66	1634	3.15								
3100	1902	1397	2.38	1513	2.80	1628	3.25								
3300	2025	1400	2.55	1508	2.96	1618	3.41								
3500	2147	1410	2.74	1510	3.15	1613	3.59	1817	4.23						
3800	2331	1434	3.07	1525	3.48	1618	3.92	1807	4.90	1986	5.94				
4200	2577	1475	3.58	1557	4.00	1640	4.44	1807	5.41	1978	6.49	2140	7.63		
4600	2822	1525	4.19	1601	4.62	1676	5.07	1826	6.03	1979	7.11	2135	8.29	2284	9.49
5000	3067	1581	4.89	1652	5.34	1721	5.80	1859	6.78	1998	7.85	2139	9.02	2282	10.28
5400	3313	1639	5.69	1707	6.16	1773	6.64	1901	7.65	2029	8.73	2157	9.89	2288	11.14
5800	3558	1699	6.58	1766	7.08	1829	7.59	1951	8.64	2069	9.74	2188	10.90	2308	12.15
6200	3804	1761	7.57	1826	8.11	1887	8.65	2005	9.74	2117	10.88	2228	12.07	2339	13.32
6400	3926	1792	8.10	1856	8.65	1917	9.21	2033	10.33	2142	11.49	2250	12.69	2357	13.95

## ATEX-13 Double Inlet Centrifugal Fan - Duplex Fan

Outlet Area= 3.26ft<sup>2</sup> Wheel Dia.=13Inch Tip Speed=RPM×3.4  
Max Wheel RPM: Des.1= 1764, Des.2= 2059, Des.3= 2353

Table7(Cont.)

Volume of Air (CFM)	Outlet Velocity (FPM)	0.5 InWG		0.75 InWG		1.0 InWG		1.25 InWG		1.5 InWG		2.0 InWG		2.5 InWG	
		RPM	BHP	RPM	BHP	RPM	BHP	RPM	BHP	RPM	BHP	RPM	BHP	RPM	BHP
2400	736	590	0.35	728	0.54										
3600	797	586	0.37	726	0.58	843	0.78								
3000	920	580	0.43	721	0.65	839	0.89	940	1.13						
3400	1043	585	0.50	713	0.73	833	0.99	937	1.26	1030	1.54				
3800	1166	601	0.59	710	0.81	826	1.09	932	1.39	1026	1.69				
4200	1288	625	0.71	717	0.92	820	1.19	924	1.51	1020	1.84	1187	2.51		
4600	1411	653	0.86	734	1.07	821	1.32	917	1.64	1012	1.99	1182	2.71	1328	3.45
5000	1534	683	1.03	757	1.24	833	1.49	916	1.79	1005	2.14	1176	2.91	1324	3.70
5400	1656	714	1.22	784	1.45	852	1.70	924	1.98	1003	2.31	1167	3.10	1318	3.95
5800	1779	745	1.43	812	1.68	875	1.93	940	2.21	1009	2.53	1160	3.30	1310	4.19
6200	1902	776	1.66	842	1.94	902	2.20	961	2.48	1023	2.79	1158	3.54	1302	4.44
6600	2025			873	2.23	931	2.51	986	2.79	1042	3.10	1163	3.82	1296	4.70
7000	2147			905	2.55	961	2.84	1013	3.14	1065	3.45	1174	4.15	1295	5.00
7600	2331			937	2.89	1007	3.42	1057	3.75	1106	4.07	1203	4.77	1308	5.57
8400	2577					1064	4.23	1118	4.66	1164	5.01	1251	5.74	1340	6.52
9200	2822							1180	5.65	1225	6.12	1307	6.89	1388	7.70
10000	3067									1287	7.40	1366	8.24	1440	9.08
10800	3313									1350	8.76	1428	9.77	1499	10.68
11600	3558											1491	11.50	1560	12.48
12400	3804											1555	13.33	1622	14.50
12800	3926													1654	15.56

Volume of Air (CFM)	Outlet Velocity (FPM)	3.0 InWG		3.5 InWG		4.0 InWG		5.0 InWG		6.0 InWG		7.0 InWG		8.0 InWG	
		RPM	BHP	RPM	BHP	RPM	BHP	RPM	BHP	RPM	BHP	RPM	BHP	RPM	BHP
2400	736														
3600	797														
3000	920														
3400	1043														
3800	1166														
4200	1288														
4600	1411														
5000	1534	1455	4.51												
5400	1656	1451	4.81	1572	5.67										
5800	1779	1446	5.11	1568	6.03										
6200	1902	1438	5.40	1563	6.38	1677	7.39								
6600	2025	1430	5.69	1556	6.73	1671	7.77								
7000	2147	1422	5.99	1547	7.06	1664	8.16	1878	10.15						
7600	2331	1420	6.53	1537	7.60	1652	8.75	1864	11.13	2055	13.56				
8400	2577	1434	7.42	1535	8.44	1640	9.59	1848	12.10	2041	14.74	2217	17.42		
9200	2822	1467	8.57	1553	9.54	1643	10.62	1835	13.12	2025	15.91	2202	18.79	2368	21.73
10000	3067	1513	9.97	1588	10.91	1666	11.94	1833	14.33	2011	17.12	2186	20.15	2352	23.28
10800	3313	1567	11.60	1634	12.55	1703	13.56	1849	15.85	2007	18.53	2172	21.57	2335	24.84
11600	3558	1625	13.45	1688	14.44	1751	15.47	1880	17.70	2019	20.25	2167	23.19	2321	26.47
12400	3804	1685	15.54	1745	16.58	1804	17.64	1922	19.87	2046	22.35	2177	25.16	2317	28.33
12800	3926	1716	16.64	1775	17.71	1832	18.79	1946	21.04	2063	23.50	2186	26.24	2318	29.34

## ATEX-14 Double Inlet CENTRIFUGAL FAN - SINGLE FAN

Outlet Area= 2.4ft<sup>2</sup> Wheel Dia.=14.625Inch Tip Speed=RPM×3.85  
 Max Wheel RPM: Des.1= 1558, Des.2= 1818, Des.3= 2078

TABLE7(CONT.)

Volume of Air (CFM)	Outlet Velocity (FPM)	0.5 InWG		0.75 InWG		1.0 InWG		1.25 InWG		1.5 InWG		2.0 InWG		2.5 InWG	
		RPM	BHP	RPM	BHP	RPM	BHP	RPM	BHP	RPM	BHP	RPM	BHP	RPM	BHP
1800	750	489	0.23	596	0.35										
2000	833	501	0.27	597	0.38	682	0.50								
2400	1000	532	0.36	611	0.48	690	0.61	760	0.75	840	0.92				
2800	1166	570	0.49	640	0.61	706	0.75	773	0.90	842	1.07	972	1.43		
3200	1333	611	0.64	676	0.78	735	0.93	793	1.08	852	1.25	972	1.63	1084	2.04
3600	1500	653	0.83	715	0.99	771	1.15	824	1.31	875	1.48	979	1.86	1086	2.29
4000	1666	696	1.06	757	1.24	811	1.41	860	1.59	907	1.76	1000	2.15	1094	2.58
4400	1833	739	1.31	799	1.53	851	1.71	899	1.91	944	2.10	1029	2.50	1113	2.93
4800	2000			842	1.87	893	2.07	939	2.28	983	2.48	1064	2.91	1141	3.35
5200	2166			885	2.23	935	2.48	981	2.70	1023	2.92	1101	3.38	1174	3.84
5600	2250					979	2.94	1023	3.18	1065	3.42	1141	3.91	1211	4.39
6000	2333					1023	3.43	1066	3.72	1107	3.98	1181	4.50	1249	5.01
6400	2666							1109	4.33	1149	4.60	1222	5.15	1289	5.70
6800	2833							1152	4.97	1192	5.29	1264	5.88	1330	6.46
7200	3000									1236	6.06	1307	6.68	1371	7.29
7600	3166									1280	6.87	1349	7.56	1413	8.20
8000	3333											1393	8.52	1456	9.20
8400	3500											1437	9.56	1498	10.28
8800	3666											1481	10.65	1541	11.45
9200	3833													1585	12.72
9400	3916													1607	13.38

Volume of Air (CFM)	Outlet Velocity (FPM)	3.0 InWG		3.5 InWG		4.0 InWG		5.0 InWG		6.0 InWG		7.0 InWG		8.0 InWG	
		RPM	BHP	RPM	BHP	RPM	BHP	RPM	BHP	RPM	BHP	RPM	BHP	RPM	BHP
1800	750														
2000	833														
2400	1000														
2800	1166														
3200	1333														
3600	1500	1186	2.74												
4000	1666	1189	3.05	1280	3.53										
4400	1833	1199	3.40	1285	3.92	1368	4.44								
4800	2000	1219	3.83	1296	4.35	1376	4.90	1531	6.08						
5200	2166	1246	4.33	1317	4.85	1389	5.40	1535	6.61						
5600	2250	1278	4.90	1344	5.43	1410	5.98	1544	7.19	1682	8.49				
6000	2333	1313	5.54	1376	6.09	1438	6.65	1561	7.83	1687	9.21	1811	10.62		
6400	2666	1351	6.26	1411	6.82	1470	7.41	1585	8.64	1702	9.98	1820	11.43	1937	12.96
6800	2833	1391	7.05	1449	7.64	1505	8.24	1614	9.50	1723	10.85	1833	12.30	1945	13.87
7200	3000	1431	7.91	1488	8.54	1542	9.16	1647	10.46	1750	11.82	1853	13.29	1957	14.85
7600	3166	1472	8.86	1528	9.51	1581	10.17	1682	11.51	1780	12.91	1877	14.38	1975	15.95
8000	3333	1514	9.88	1569	10.57	1621	11.26	1720	12.65	1814	14.09	1906	15.59	1999	17.16
8400	3500	1558	11.00	1610	11.72	1661	12.44	1758	13.89	1849	15.38	1938	16.91	2027	18.50
8800	3666	1598	12.20	1652	12.96	1703	13.72	1798	15.23	1887	16.77	1973	18.34	2058	19.96
9200	3833	1641	13.50	1694	14.30	1745	15.09	1838	16.67	1925	18.26	2009	19.87	2091	21.53
9400	3916	1663	14.18	1716	14.99	1766	15.80	1859	17.41	1945	19.03	2028	20.67	2109	22.35

## ATEX-14 Double Inlet Centrifugal Fan - Duplex Fan

Outlet Area= 4.8ft<sup>2</sup> Wheel Dia.=14.625Inch Tip Speed=RPM×3.85  
 Max Wheel RPM: Des.1= 1558, Des.2= 1818, Des.3= 2078

Table 7 (CONT.)

Volume of Air (CFM)	Outlet Velocity (FPM)	0.5 InWG		0.75 InWG		1.0 InWG		1.25 InWG		1.5 InWG		2.0 InWG		2.5 InWG	
		RPM	BHP	RPM	BHP	RPM	BHP	RPM	BHP	RPM	BHP	RPM	BHP	RPM	BHP
3600	750	509	0.50	634	0.78										
4000	833	511	0.57	624	0.85	734	1.16								
4800	1000	527	0.74	624	1.01	723	1.35	815	1.71	900	2.11				
5600	1166	561	0.99	637	1.25	719	1.58	806	1.96	889	2.39	1039	3.25		
6400	1333	602	1.32	666	1.59	732	1.89	805	2.26	881	2.69	1028	3.64	1160	4.64
7200	1500	645	1.71	704	2.01	761	2.32	820	2.67	883	3.07	1018	4.04	1149	5.12
8000	1666	689	2.19	746	2.52	798	2.85	849	3.20	901	3.58	1016	4.50	1139	5.61
8800	1833	734	2.71	789	3.12	839	3.49	885	3.85	931	4.24	1028	5.11	1135	6.17
9600	2000			833	3.82	881	4.22	925	4.62	967	5.02	1053	5.88	1144	6.89
10400	2166			878	4.57	925	5.07	967	5.50	1007	5.93	1085	6.81	1165	7.79
11200	2250					969	6.03	1010	6.50	1049	6.96	1122	7.89	1195	8.87
12000	2333					1013	7.05	1054	7.62	1092	8.12	1162	9.11	1230	10.12
12800	2666							1098	8.88	1136	9.42	1204	10.47	1269	11.53
13600	2833							1143	10.20	1180	10.85	1247	11.98	1309	13.10
14400	3000									1224	12.43	1291	13.65	1351	14.83
15200	3166									1264	14.08	1335	15.47	1394	16.73
16000	3333											1379	17.45	1438	18.80
16800	3500											1423	19.61	1482	21.04
17600	3666											1468	21.86	1526	23.47
18400	3833													1570	26.08
18800	3916													1593	27.44

Volume of Air (CFM)	Outlet Velocity (FPM)	3.0 InWG		3.5 InWG		4.0 InWG		5.0 InWG		6.0 InWG		7.0 InWG		8.0 InWG	
		RPM	BHP	RPM	BHP	RPM	BHP	RPM	BHP	RPM	BHP	RPM	BHP	RPM	BHP
3600	750														
4000	833														
4800	1000														
5600	1166														
6400	1333														
7200	1500	1268	6.24												
8000	1666	1257	6.81	1368	8.06										
8800	1833	1247	7.40	1356	8.72	1459	10.08								
9600	2000	1243	8.07	1346	9.40	1447	10.84	1633	13.79						
10400	2166	1251	8.91	1342	10.20	1437	11.63	1622	14.74						
11200	2250	1270	9.96	1350	11.18	1435	12.56	1611	15.71	1779	19.10				
12000	2333	1298	11.20	1369	12.38	1444	13.70	1604	16.76	1768	20.25	1925	23.91		
12800	2666	1332	12.63	1396	13.80	1462	15.07	1606	18.01	1759	21.46	1913	25.54	2058	29.17
13600	2833	1369	14.23	1428	15.42	1489	16.67	1617	19.50	1757	22.84	1902	26.63	2046	30.69
14400	3000	1408	16.02	1465	17.23	1521	18.49	1638	21.26	1783	24.47	1897	28.17	2035	32.25
15200	3166	1450	17.98	1504	19.24	1557	20.52	1664	23.28	1778	26.39	1900	29.95	2029	33.95
16000	3333	1492	20.12	1544	21.43	1595	22.76	1696	25.54	1801	28.59	1911	32.03	2029	35.91
16800	3500	1535	22.44	1586	23.82	1635	25.20	1731	28.03	1829	31.08	1930	34.43	2038	38.18
17600	3666	1579	24.95	1628	26.40	1677	27.84	1769	30.76	1861	33.83	1955	37.14	2054	40.78
18400	3833	1623	27.64	1672	29.18	1719	30.68	1809	33.71	1896	36.83	1985	40.14	2076	43.72
18800	3916	1645	29.04	1694	30.62	1741	32.16	1829	35.25	1915	38.40	2001	41.71	2089	45.27

## ATEX-16 Double Inlet Centrifugal Fan - Single Fan

Outlet Area= 2.66ft<sup>2</sup> Wheel Dia.=16.25Inch Tip Speed=RPM×4.25  
 Max Wheel RPM: Des.1= 1411, Des.2= 1647, Des.3= 1882

Table7(Cont.)

Volume of Air (CFM)	Outlet Velocity (FPM)	0.5 InWG		0.75 InWG		1.0 InWG		1.25 InWG		1.5 InWG		2.0 InWG		2.5 InWG	
		RPM	BHP	RPM	BHP	RPM	BHP	RPM	BHP	RPM	BHP	RPM	BHP	RPM	BHP
2000	752	432	0.25	583	0.39										
2200	827	437	0.28	533	0.42	621	0.58								
2600	977	452	0.35	532	0.49	614	0.66	689	0.83	768	1.04				
3000	1128	476	0.45	545	0.60	614	0.76	685	0.95	756	1.15	887	1.60		
3400	1278	504	0.58	566	0.73	626	0.89	687	1.08	750	1.28	874	1.75		
3800	1428	533	0.73	592	0.89	646	1.06	700	1.25	755	1.45	866	1.92	972	2.44
4200	1579	563	0.90	620	1.08	671	1.26	720	1.45	768	1.66	867	2.12	968	2.66
4600	1729	810	1.09	649	1.30	698	1.49	744	1.70	788	1.91	877	2.37	968	2.90
5000	1880			679	1.55	726	1.76	770	1.98	812	2.20	894	2.67	976	3.20
5400	2030			709	1.84	756	2.07	798	2.30	838	2.53	915	3.02	990	3.55
5800	2180			740	2.15	786	2.41	828	2.66	866	2.91	939	3.42	1010	3.95
6200	2331					817	2.80	858	3.06	895	3.33	966	3.86	1033	4.41
6600	2481					847	3.20	888	3.50	925	3.79	994	4.35	1058	4.93
7000	2631							918	4.00	955	4.29	1022	4.89	1084	5.49
7400	2782							949	4.52	985	4.85	1052	5.48	1112	6.11
7800	2932									1016	5.48	1082	6.12	1141	6.79
8200	3083									1048	6.10	1112	6.82	1170	7.52
8600	3233											1142	7.57	1200	8.31
9000	3383											1173	8.39	1230	9.16
9400	3534											1204	9.23	1261	10.07
9800	3684													1291	11.04

Volume of Air (CFM)	Outlet Velocity (FPM)	3.0 InWG		3.5 InWG		4.0 InWG		5.0 InWG		6.0 InWG		7.0 InWG		8.0 InWG	
		RPM	BHP	RPM	BHP	RPM	BHP	RPM	BHP	RPM	BHP	RPM	BHP	RPM	BHP
2000	752														
2200	827														
2600	977														
3000	1128														
3400	1278														
3800	1428														
4200	1579	1065	3.23	1165	3.87										
4600	1729	1060	3.49	1153	4.13	1240	4.80								
5000	1880	1060	3.78	1145	4.42	1230	5.11								
5400	2030	1067	4.13	1144	4.76	1223	5.45	1377	6.94						
5800	2180	1080	4.54	1151	5.16	1224	5.84	1370	7.35	1513	9.00				
6200	2331	1098	5.00	1164	5.63	1231	6.31	1367	7.80	1504	9.48				
6600	2481	1119	5.53	1181	6.16	1243	6.84	1369	8.33	1498	9.99	1624	11.77		
7000	2631	1144	6.11	1202	6.76	1260	7.44	1377	8.92	1497	10.57	1619	12.38	1738	14.31
7400	2782	1170	6.75	1225	7.42	1281	8.11	1391	9.59	1503	11.23	1617	13.03	1732	14.99
7800	2932	1197	7.45	1251	8.14	1303	8.85	1408	10.34	1513	11.98	1620	13.77	1728	15.71
8200	3083	1225	8.21	1277	8.93	1328	9.65	1427	11.17	1527	12.82	1628	14.59	1730	16.52
8600	3233	1254	9.03	1305	9.78	1354	10.52	1450	12.08	1544	13.73	1640	15.51	1736	17.42
9000	3383	1283	9.92	1333	10.69	1382	11.46	1474	13.06	1565	14.73	1655	16.52	1747	18.43
9400	3534	1313	10.87	1362	11.66	1410	12.47	1500	14.11	1587	15.82	1674	17.62	1760	19.53
9800	3684	1343	11.88	1392	12.71	1438	13.54	1527	15.24	1611	16.98	1694	18.81	1777	20.73

## ATEX-16 Double Inlet Centrifugal Fan - Duplex Fan

Outlet Area= 5.32ft<sup>2</sup> Wheel Dia.=16.25Inch Tip Speed=RPM×4.25  
 Max Wheel RPM: Des.1= 1411, Des.2= 1647, Des.3= 1882

Table7(Cont.)

Volume of Air (CFM)	Outlet Velocity (FPM)	0.5 InWG		0.75 InWG		1.0 InWG		1.25 InWG		1.5 InWG		2.0 InWG		2.5 InWG	
		RPM	BHP	RPM	BHP	RPM	BHP	RPM	BHP	RPM	BHP	RPM	BHP	RPM	BHP
4000	752	458	0.56	567	0.87										
4400	827	455	0.61	564	0.94	657	1.29								
5200	977	456	0.74	558	1.09	651	1.48	733	1.89	805	2.29				
6000	1128	472	0.92	555	1.25	644	1.67	726	2.13	800	2.59				
6800	1278	496	1.17	564	1.48	640	1.89	719	2.37	794	2.88	926	3.93		
7600	1428	525	1.47	584	1.79	646	2.17	715	2.64	786	3.16	919	4.31	1035	5.49
8400	1579	555	1.83	610	2.18	664	2.55	721	2.99	783	3.50	911	4.69	1028	5.97
9200	1729	586	2.22	639	2.63	688	3.02	737	3.44	790	3.93	905	5.09	1021	6.44
10000	1880			669	3.16	715	3.57	759	4.00	805	4.47	905	5.58	1013	6.93
10800	2030			700	3.76	745	4.20	786	4.65	827	5.12	914	6.18	1010	7.48
11600	2180			731	4.39	775	4.92	815	5.39	853	5.87	931	6.92	1015	8.16
12400	2331					806	5.72	845	6.22	881	6.73	953	7.79	1028	8.99
13200	2481					837	6.56	875	7.14	911	7.68	978	8.78	1046	9.97
14000	2631							907	8.16	941	8.74	1006	9.88	1069	11.09
14800	2782							939	9.23	972	9.89	1035	11.10	1095	12.33
15600	2932									1004	11.16	1065	12.43	1123	13.71
16400	3083									1036	12.48	1096	13.88	1152	15.22
17200	3233											1127	15.45	1182	16.86
18000	3383											1158	17.15	1212	18.62
18800	3534											1189	18.91	1243	20.52
19600	3684													1274	22.55

Volume of Air (CFM)	Outlet Velocity (FPM)	3.0 InWG		3.5 InWG		4.0 InWG		5.0 InWG		6.0 InWG		7.0 InWG		8.0 InWG	
		RPM	BHP	RPM	BHP	RPM	BHP	RPM	BHP	RPM	BHP	RPM	BHP	RPM	BHP
4000	752														
4400	827														
5200	977														
6000	1128														
6800	1278														
7600	1428														
8400	1579	1133	7.27												
9200	1729	1127	7.84	1223	9.27	1311	10.70								
10000	1880	1119	8.41	1216	9.94	1306	11.48								
10800	2030	1111	8.99	1209	10.60	1300	12.25	1463	15.59						
11600	2180	1107	9.63	1201	11.27	1292	13.00	1457	16.55						
12400	2331	1109	10.40	1196	12.00	1284	13.77	1450	17.50	1599	21.33				
13200	2481	1119	11.32	1197	12.86	1278	14.60	1442	18.44	1592	22.47	1729	26.54		
14000	2631	1135	12.40	1205	13.89	1279	15.56	1434	19.40	1584	23.60	1722	27.88	1849	32.19
14800	2782	1156	13.65	1219	15.09	1286	16.71	1429	20.45	1576	24.73	1715	29.21	1842	33.74
15600	2932	1180	15.04	1238	16.47	1299	18.04	1429	21.66	1569	25.91	1706	30.52	1835	35.27
16400	3083	1206	16.58	1261	16.02	1316	19.55	1435	23.06	1565	27.21	1698	31.86	1827	28.66
17200	3233	1234	18.26	1286	19.72	1337	21.25	1447	24.68	1566	28.69	1692	33.28	1818	21.94
18000	3383	1263	20.08	1312	21.57	1362	23.12	1463	26.50	1573	30.39	1690	34.87	1811	23.28
18800	3534	1293	22.05	1340	23.58	1388	25.16	1484	28.52	1585	32.32	1693	36.67	1807	24.75
19600	3684	1323	24.15	1370	25.75	1416	27.36	1507	30.57	1601	34.49	1701	38.71	1807	26.34

## ATEX-17 Double Inlet Centrifugal Fan - Single Fan

Outlet Area=3.07ft<sup>2</sup> Wheel Dia.=17.875Inch Tip Speed=RPM×4.69  
 Max Wheel RPM: Des.1= 1279, Des.2= 1492, Des.3= 1706

Table7(Cont.)

Volume of Air (CFM)	Outlet Velocity (FPM)	0.5 InWG		0.75 InWG		1.0 InWG		1.25 InWG		1.5 InWG		2.0 InWG		2.5 InWG	
		RPM	BHP	RPM	BHP	RPM	BHP	RPM	BHP	RPM	BHP	RPM	BHP	RPM	BHP
2500	814	393	0.31	487	0.48										
2750	896	399	0.35	484	0.52	560	0.71								
3250	1059	415	0.45	485	0.62	557	0.82	623	1.03	693	1.25				
3750	1221	439	0.58	499	0.76	560	0.96	622	1.18	685	1.43	802	1.96		
4250	1384	465	0.75	521	0.93	574	1.14	627	1.36	682	1.61	792	2.18	895	2.80
4750	1547	493	0.94	546	1.14	594	1.36	641	1.58	689	1.83	786	2.40	885	3.04
5250	1710	522	1.17	573	1.39	618	1.62	661	1.86	704	2.11	790	2.67	879	3.31
5750	1873	550	1.42	601	1.68	644	1.93	685	2.18	724	2.44	802	3.00	882	3.64
6250	2036			629	2.02	672	2.28	711	2.55	748	2.82	820	3.40	892	4.04
6750	2199			657	2.40	700	2.68	738	2.97	773	3.26	841	3.66	908	4.51
7250	2361			686	2.80	728	3.14	766	3.45	800	3.76	865	4.38	927	5.04
7750	2524					756	3.64	794	3.97	828	4.30	891	4.97	950	5.65
8250	2687					785	4.17	822	4.56	856	4.91	917	5.61	974	6.32
8750	2850							851	5.21	884	5.58	945	6.32	1000	7.07
9250	3013							880	5.89	913	6.31	973	7.10	1027	7.88
9750	3176									942	7.12	1001	7.95	1054	8.77
10250	3339									927	7.96	1029	8.86	1082	9.74
10750	3502											1058	9.86	1111	10.77
11250	3665											1087	10.94	1139	11.89
11750	3827											1116	12.06	1167	13.09
12250	3990													1196	14.38

Volume of Air (CFM)	Outlet Velocity (FPM)	3.0 InWG		3.5 InWG		4.0 InWG		5.0 InWG		6.0 InWG		7.0 InWG		8.0 InWG	
		RPM	BHP	RPM	BHP	RPM	BHP	RPM	BHP	RPM	BHP	RPM	BHP	RPM	BHP
2500	814														
2750	896														
3250	1059														
3750	1221														
4250	1384														
4750	1547	977	3.73												
5250	1710	968	4.02	1053	4.77										
5750	1873	963	4.35	1044	5.12	1121	5.93								
6250	2036	965	4.74	1040	5.51	1114	6.34								
6750	2199	975	5.21	1043	5.97	1111	6.80	1246	8.59						
7250	2361	989	5.75	1052	6.51	1115	7.33	1243	9.15	1370	11.14				
7750	2524	1008	6.37	1066	7.14	1124	7.95	1243	9.75	1364	11.77				
8250	2687	1029	7.07	1084	7.84	1138	8.67	1248	10.45	1361	12.46	1472	14.61		
8750	2850	1053	7.84	1105	8.63	1156	9.47	1259	11.25	1363	13.25	1470	15.43	1574	17.74
9250	3013	1078	8.69	1128	9.50	1177	10.35	1273	12.15	1371	14.14	1471	16.30	1572	18.65
9750	3176	1104	9.61	1152	10.45	1199	11.33	1291	13.15	1383	15.14	1477	17.29	1572	19.62
10250	3339	1131	10.61	1178	11.49	1223	12.39	1311	14.25	1398	16.25	1487	18.40	1576	20.56
10750	3502	1159	11.69	1205	12.61	1249	13.53	1333	15.45	1417	17.47	1500	19.62	1585	21.94
11250	3665	1187	12.85	1232	13.81	1275	14.77	1357	16.74	1437	18.80	1571	20.97	1597	23.28
11750	3827	1215	14.09	1260	15.09	1302	16.09	1382	18.13	1459	20.23	1536	22.43	1612	24.75
12250	3990	1243	15.43	1288	16.47	1329	17.51	1408	19.61	1483	21.76	1557	24.00	1630	26.34

### ATEX-17 Double Inlet CENTRIFUGAL FAN - Duplex FAN

Outlet Area=6.14ft<sup>2</sup> Wheel Dia.=17.875Inch Tip Speed=RPM×4.69  
Max Wheel RPM: Des.1= 1279, Des.2= 1492, Des.3= 1706

TABLE7(CONT.)

Volume of Air (CFM)	Outlet Velocity (FPM)	0.5 InWG		0.75 InWG		1.0 InWG		1.25 InWG		1.5 InWG		2.0 InWG		2.5 InWG	
		RPM	BHP	RPM	BHP	RPM	BHP	RPM	BHP	RPM	BHP	RPM	BHP	RPM	BHP
5000	814	415	0.70	515	1.08										
5500	896	413	0.76	512	1.17	597	1.60								
6500	1059	417	0.93	506	1.35	590	1.84	667	2.35	731	2.85				
7500	1221	434	1.18	506	1.58	584	2.08	659	2.64	726	3.22	844	4.39		
8500	1384	458	1.51	517	1.89	583	2.37	652	2.95	720	3.58	839	4.88	943	6.20
9500	1547	486	1.92	538	2.31	592	2.76	651	2.31	713	3.95	833	5.36	939	6.82
10500	1710	515	2.39	563	2.82	611	3.27	660	3.79	713	4.40	826	5.84	933	7.42
11500	1873	545	2.90	591	3.42	634	3.90	677	4.41	723	4.99	822	6.37	925	8.01
12500	2036			620	4.12	661	4.63	700	5.15	740	5.72	826	7.03	919	8.65
13500	2199			650	4.91	689	5.46	726	6.01	762	6.59	837	7.87	920	9.41
14500	2361			680	5.75	718	6.40	754	6.99	787	7.59	855	8.87	928	10.34
15500	2524					748	7.45	782	8.09	815	8.72	878	10.02	943	11.47
16500	2687					778	8.59	811	9.31	843	9.98	903	11.33	963	12.78
17500	2850							841	10.65	872	11.37	930	12.79	986	14.27
18500	3013							871	12.06	901	12.90	958	14.40	1011	15.93
19500	3176									931	14.56	986	16.16	1037	17.75
20500	3339									961	16.29	1015	18.07	1065	19.74
21500	3502											1045	20.14	1094	21.90
22500	3665											1075	22.38	1123	24.23
23500	3827											1105	24.70	1152	26.73
24500	3990													1182	29.41

Volume of Air (CFM)	Outlet Velocity (FPM)	3.0 InWG		3.5 InWG		4.0 InWG		5.0 InWG		6.0 InWG		7.0 InWG		8.0 InWG	
		RPM	BHP	RPM	BHP	RPM	BHP	RPM	BHP	RPM	BHP	RPM	BHP	RPM	BHP
5000	814														
5500	896														
6500	1059														
7500	1221														
8500	1384														
9500	1547	1032	8.30												
10500	1710	1028	9.03	1114	10.62										
11500	1873	1022	9.75	1109	11.52	1191	13.30								
12500	2036	1014	10.46	1103	12.36	1185	14.27								
13500	2199	1008	11.21	1096	13.18	1178	15.23	1328	19.39						
14500	2361	1007	12.07	1089	14.05	1171	16.17	1322	20.58	1457	25.05				
15500	2524	1012	13.13	1087	15.03	1164	17.16	1315	21.76	1451	26.50				
16500	2687	1025	14.39	1091	16.22	1162	18.28	1307	22.94	1444	27.93	1570	33.01		
17500	2850	1042	15.86	1102	17.63	1165	19.61	1301	24.20	1436	29.34	1562	34.67	1678	40.05
18500	3013	1063	17.53	1118	19.26	1175	21.17	1299	25.62	1428	30.78	1554	36.31	1671	41.96
19500	3176	1087	19.38	1138	21.12	1190	22.99	1302	27.27	1423	32.34	1546	37.96	1664	43.85
20500	3339	1113	21.43	1161	23.18	1209	25.04	1312	29.20	1423	34.11	1532	39.70	1656	45.72
21500	3502	1140	23.65	1186	25.44	1231	27.31	1326	31.40	1427	36.15	1536	41.61	1648	47.66
22500	3665	1168	26.05	1212	27.90	1255	29.80	1344	33.87	1437	38.48	1538	43.79	1643	49.74
23500	3827	1197	28.64	1240	30.55	1281	32.50	1365	36.59	1452	41.12	1544	46.27	1642	52.07
24500	3990	1226	31.41	1268	33.40	1308	35.41	1388	39.55	1469	44.06	1555	49.07	1646	54.71

15



## ATEX-19 DOUBLE INLET CENTRIFUGAL FAN - SINGLE FAN

Outlet Area=4.18ft<sup>2</sup> Wheel Dia.=19.5Inch Tip Speed=RPM×5.1  
Max Wheel RPM: Des.1= 1176, Des.2= 1372, Des.3= 1568

TABLE7(CONT.)

Volume of Air (CFM)	Outlet Velocity (FPM)	0.5 InWG		0.75 InWG		1.0 InWG		1.25 InWG		1.5 InWG		2.0 InWG		2.5 InWG	
		RPM	BHP	RPM	BHP	RPM	BHP	RPM	BHP	RPM	BHP	RPM	BHP	RPM	BHP
3000	718	374	0.39	467	0.62										
3300	789	371	0.42	463	0.66	542	0.92	606	1.17						
3900	933	371	0.51	455	0.75	534	1.03	602	1.33	663	1.64				
4500	1076	381	0.62	452	0.86	526	1.15	595	1.48	657	1.82	766	2.51		
5100	1220	396	0.77	458	1.01	522	1.30	587	1.63	649	1.99	760	2.76	856	3.55
5700	1364	413	0.94	471	1.20	526	1.48	583	1.81	641	2.18	752	3.00	850	3.86
6300	1507	432	1.15	486	1.43	537	1.72	587	2.04	639	2.40	744	3.24	842	4.16
6900	1651	452	1.38	504	1.69	552	2.00	597	2.33	643	2.68	738	3.50	833	4.45
7500	1749			522	1.99	568	2.32	611	2.67	653	3.02	738	3.83	826	4.77
8100	1938			541	2.34	586	2.68	627	3.05	666	3.42	744	4.22	824	5.14
8700	2081			562	2.71	604	3.10	644	3.47	682	3.86	755	4.69	828	5.59
9300	2225					623	3.56	662	3.95	699	4.36	768	5.21	836	6.12
9900	2368					644	4.05	680	4.49	716	4.91	784	5.80	847	6.73
10500	2512							700	5.08	734	5.52	800	6.44	861	7.40
11100	2655							721	5.70	754	6.19	817	7.14	877	8.14
11700	2799									774	6.89	835	7.91	893	8.95
12300	2943											853	8.74	910	9.82
12900	3086											873	9.65	928	10.76
13500	3230											893	10.64	947	11.77
14100	3373											914	11.67	965	12.87
14700	3517													985	14.05

Volume of Air (CFM)	Outlet Velocity (FPM)	3.0 InWG		3.5 InWG		4.0 InWG		5.0 InWG		6.0 InWG		7.0 InWG		8.0 InWG	
		RPM	BHP	RPM	BHP	RPM	BHP	RPM	BHP	RPM	BHP	RPM	BHP	RPM	BHP
3000	718														
3300	789														
3900	933														
4500	1076														
5100	1220														
5700	1364	937	4.74												
6300	1507	931	5.11	1010	6.08										
6900	1651	923	5.47	1004	6.51	1079	7.58								
7500	1749	914	5.82	996	6.93	1072	8.06								
8100	1938	906	6.19	987	7.33	1064	8.53	1203	10.98						
8700	2081	903	6.62	979	7.76	1054	8.99	1195	11.57	1320	14.23				
9300	2225	905	7.13	975	8.25	1047	9.48	1186	12.15	1312	14.94	1425	17.79		
9900	2368	911	7.73	976	8.83	1043	10.04	1176	12.73	1303	15.64	1418	18.63		
10500	2512	921	8.42	981	9.51	1043	10.69	1196	13.36	1294	16.33	1410	19.45	1519	22.64
11100	2655	934	9.18	990	10.27	1048	11.44	1166	14.07	1285	17.04	1401	20.25	1510	23.57
11700	2799	948	10.01	1002	11.13	1056	12.30	1166	14.88	1279	17.82	1392	21.06	1501	24.49
12300	2943	964	10.92	1016	12.06	1067	13.24	1170	15.81	1276	18.71	1385	21.93	1491	25.41
12900	3086	981	11.90	1031	13.07	1081	14.28	1178	16.85	1277	19.71	1380	22.89	1483	26.37
13500	3230	998	12.95	1047	14.16	1095	15.40	1188	18.00	1282	20.83	1378	23.97	1477	27.42
14100	3373	1016	14.08	1064	15.33	1111	16.60	1200	19.24	1289	22.08	1381	25.18	1474	28.58
14700	3517	1034	15.28	1082	16.57	1127	17.88	1214	20.58	1300	23.44	1386	26.52	1474	29.87

16

**ATEX-19 Double Inlet Centrifugal Fan - Duplex Fan**

Outlet Area=8.36ft<sup>2</sup> Wheel Dia.=19.5Inch Tip Speed=RPM×5.1  
Max Wheel RPM: Des.1= 1176, Des.2= 1372, Des.3= 1568

TABLE7(CONT.)

Volume of Air (CFM)	Outlet Velocity (FPM)	0.5 InWG		0.75 InWG		1.0 InWG		1.25 InWG		1.5 InWG		2.0 InWG		2.5 InWG	
		RPM	BHP	RPM	BHP	RPM	BHP	RPM	BHP	RPM	BHP	RPM	BHP	RPM	BHP
6000	718	368	0.81	453	1.24										
6600	789	369	0.89	452	1.37	523	1.82	587	2.35						
7800	933	374	1.09	451	1.57	521	2.11	584	2.68	641	3.27				
9000	1076	384	1.34	454	1.85	520	2.42	582	3.03	639	3.68	741	5.04		
10200	1220	398	1.66	462	2.19	523	2.79	582	3.43	637	4.12	738	5.58	828	7.12
11400	1364	416	2.05	474	2.60	530	3.22	585	3.89	638	4.61	736	6.14	825	7.79
12600	1507	437	2.53	489	3.10	541	3.73	592	4.43	641	5.17	735	6.77	823	8.49
13800	1651	460	3.06	507	3.68	554	4.33	602	5.07	648	5.82	738	7.47	822	9.26
15000	1749			528	4.38	571	5.04	615	5.77	658	6.56	743	8.27	823	10.11
16200	1938			551	5.18	590	5.86	630	6.60	671	7.41	750	9.16	827	11.06
17400	2081			575	6.05	611	6.80	647	7.56	686	8.38	760	10.17	834	12.12
18600	2225					634	7.87	667	8.64	703	9.47	773	11.30	843	13.30
19800	2368					658	9.01	689	9.87	722	10.71	787	12.56	854	14.60
21000	2512							713	11.24	742	12.10	804	13.97	867	16.04
22200	2655							737	12.69	764	13.64	822	15.54	881	17.64
23400	2799									787	15.27	842	17.28	897	19.40
24600	2943											864	19.20	915	21.34
25800	3086											886	21.30	935	23.47
27000	3230											910	23.60	956	25.79
28200	3373											934	26.00	978	28.31
29400	3517													1002	31.05

Volume of Air (CFM)	Outlet Velocity (FPM)	3.0 InWG		3.5 InWG		4.0 InWG		5.0 InWG		6.0 InWG		7.0 InWG		8.0 InWG	
		RPM	BHP	RPM	BHP	RPM	BHP	RPM	BHP	RPM	BHP	RPM	BHP	RPM	BHP
6000	718														
6600	789														
7800	933														
9000	1076														
10200	1220														
11400	1364	907	9.50												
12600	1507	904	10.32	979	12.20										
13800	1651	902	11.16	976	13.16	1045	15.19								
15000	1749	901	12.08	974	14.15	1043	16.30	1170	20.77						
16200	1938	902	13.08	973	15.22	1041	17.45	1167	22.13						
17400	2081	905	14.19	974	16.39	1040	18.68	1165	23.52	1279	28.58				
18600	2225	910	15.42	977	17.67	1041	20.02	1163	24.99	1277	30.26	1382	35.72		
19800	2368	918	16.78	982	19.07	1044	21.48	1163	26.57	1275	31.99	1380	37.66		
21000	2512	928	18.27	989	20.61	1049	23.07	1164	28.27	1274	33.82	1378	39.65	1475	45.66
22200	2655	940	19.90	999	22.30	1056	24.80	1167	30.11	1274	35.77	1376	41.74	1473	47.96
23400	2799	954	21.70	1010	24.13	1065	26.69	1172	32.10	1276	37.87	1376	43.96	1471	50.32
24600	2943	969	23.66	1022	26.13	1075	28.73	1179	34.25	1279	40.12	1377	46.32	1471	52.81
25800	3086	986	25.81	1036	28.31	1087	30.95	1187	36.56	1285	42.54	1379	48.84	1471	55.45
27000	3230	1004	28.15	1052	30.68	1101	33.36	1197	39.05	1292	45.13	1384	51.54	1473	58.25
28200	3373	1024	30.70	1070	33.25	1116	35.96	1209	41.73	1300	47.90	1390	54.42	1477	61.23
29400	3517	1044	33.47	1088	36.04	1132	38.76	1222	44.61	1310	50.87	1397	57.49	1482	64.41

## ATEX-22 Double Inlet CENTRIFUGAL FAN - SINGLE FAN

Outlet Area=5.07ft<sup>2</sup> Wheel Dia.=22.75Inch Tip Speed=RPM×5.95  
 Max Wheel RPM: Des.1= 1008, Des.2= 1076, Des.3= 1344

TABLE7(CONT.)

Volume of Air (CFM)	Outlet Velocity (FPM)	0.5 InWG		0.75 InWG		1.0 InWG		1.25 InWG		1.5 InWG		2.0 InWG		2.5 InWG	
		RPM	BHP	RPM	BHP	RPM	BHP	RPM	BHP	RPM	BHP	RPM	BHP	RPM	BHP
4500	887	314	0.58	393	0.91										
5000	986	315	0.65	389	0.98	454	1.35								
6000	1183	322	0.82	385	1.16	447	1.56	503	1.98	558	2.44				
7000	1381	337	1.07	390	1.41	444	1.81	498	2.26	550	2.75	644	3.81		
8000	1578	355	1.38	403	1.74	449	2.14	497	2.59	544	3.09	636	4.21	719	5.41
9000	1775	376	1.76	420	2.14	461	2.56	503	3.01	545	3.51	629	4.64	710	5.90
10000	1972	398	2.23	439	2.63	478	3.07	515	3.54	552	4.04	628	5.16	703	6.44
11000	2170	421	2.75	460	3.21	496	3.67	531	4.16	565	4.68	633	5.81	701	7.08
12000	2367			482	3.90	516	4.38	549	4.89	580	5.43	643	6.59	705	7.88
13000	2564			505	4.70	537	5.20	569	5.74	598	6.29	656	7.49	713	8.78
14000	2761			530	5.56	559	6.14	589	6.70	618	7.28	673	8.51	726	9.83
15000	2958					583	7.22	611	7.79	638	8.40	691	9.67	741	11.03
16000	3156					607	8.36	634	9.03	660	9.65	710	10.97	759	12.38
17000	3353							658	10.42	682	11.06	730	12.42	777	13.87
18000	3550							682	11.88	705	12.63	752	14.03	797	15.52
19000	3747									728	14.27	774	15.81	817	17.34
20000	3945											796	17.77	838	19.34
21000	4142											820	19.92	860	21.53
22000	4340											844	22.16	882	23.82
23000	4536														
24000	4738														

Volume of Air (CFM)	Outlet Velocity (FPM)	3.0 InWG		3.5 InWG		4.0 InWG		5.0 InWG		6.0 InWG		7.0 InWG		8.0 InWG	
		RPM	BHP	RPM	BHP	RPM	BHP	RPM	BHP	RPM	BHP	RPM	BHP	RPM	BHP
4500	887														
5000	986														
6000	1183														
7000	1381														
8000	1578														
9000	1775	785	7.25												
10000	1972	777	7.85	846	9.31										
11000	2170	770	8.50	838	10.03	902	11.60								
12000	2367	768	9.27	831	10.80	894	12.45								
13000	2564	771	10.18	829	11.71	888	13.36	999	16.91						
14000	2761	779	11.25	833	12.78	886	14.42	995	18.04	1099	21.95				
15000	2958	791	12.48	840	14.02	890	15.66	992	19.26	1092	23.26	1188	27.51		
16000	3156	805	13.86	851	15.42	898	17.07	992	20.66	1087	24.65	1181	29.00		
17000	3353	821	15.39	865	16.98	909	18.66	996	22.26	1086	26.23	1175	30.58	1262	35.16
18000	3550	839	17.09	881	18.72	922	20.42	1005	24.06	1088	28.03	1172	32.36	1257	37.03
19000	3747	858	18.95	899	20.63	938	22.37	1016	26.06	1094	30.04	1173	34.36	1254	39.01
20000	3945	878	20.99	917	22.72	955	24.50	1030	28.25	1103	32.27	1178	36.59	1254	41.23
21000	4142	898	23.22	936	24.99	973	26.81	1045	30.64	1115	34.72	1186	39.06	1257	43.69
22000	4340	920	25.65	956	27.46	992	29.33	1061	33.24	1129	37.38	1196	41.77	1264	46.41
23000	4536	942	28.29	977	30.14	1012	32.05	1079	36.05	1145	40.27	1209	44.71	1273	49.38
24000	4738	964	31.14	998	33.03	1032	34.98	1098	39.07	1161	43.37	1223	47.88	1285	52.60

## ATEX-22 Double Inlet Centrifugal Fan - Duplex Fan

Outlet Area=10.14ft<sup>2</sup>      Wheel Dia.=22.75Inch      Tip Speed=RPM×5.95  
 Max Wheel RPM: Des.1= 1008, Des.2= 1076, Des.3= 1344

Table7(Cont.)

Volume of Air (CFM)	Outlet Velocity (FPM)	0.5 InWG		0.75 InWG		1.0 InWG		1.25 InWG		1.5 InWG		2.0 InWG		2.5 InWG	
		RPM	BHP	RPM	BHP	RPM	BHP	RPM	BHP	RPM	BHP	RPM	BHP	RPM	BHP
9000	887	321	1.26	392	1.87										
10000	986	324	1.44	392	2.08	452	2.74								
12000	1183	334	1.84	396	2.56	454	3.34	504	4.10	554	4.97				
14000	1381	349	2.38	405	3.15	458	4.00	508	4.89	555	5.82	640	7.75		
16000	1578	369	3.11	417	3.87	466	4.77	513	5.74	557	6.75	641	8.87	715	11.06
18000	1775	394	4.04	435	4.79	478	5.69	522	6.72	564	7.81	643	10.07	716	12.47
20000	1972	422	5.17	457	5.96	494	6.84	533	7.88	573	9.01	648	11.44	718	13.97
22000	2170	452	6.40	482	7.38	514	8.26	549	9.27	585	10.41	656	12.96	723	15.66
24000	2367			510	9.04	539	9.97	569	10.97	600	12.08	666	14.67	731	17.52
26000	2564			539	10.96	565	11.97	592	12.99	620	14.09	679	16.63	740	19.57
28000	2761			566	13.01	593	14.25	618	15.33	643	16.45	696	18.94	752	21.87
30000	2958					622	16.83	645	18.00	668	19.16	715	21.64	767	24.51
32000	3156					651	19.56	673	20.98	694	22.22	738	24.75	784	27.57
34000	3353							702	24.31	722	25.63	763	28.27	805	31.07
36000	3550							731	28.81	751	29.41	789	32.19	828	35.04
38000	3747									780	33.37	817	36.51	853	39.46
40000	3945											845	41.25	879	44.33
42000	4142											873	46.40	906	49.65
44000	4340											902	51.57	934	25.20
46000	4536														
48000	4738														

Volume of Air (CFM)	Outlet Velocity (FPM)	3.0 InWG		3.5 InWG		4.0 InWG		5.0 InWG		6.0 InWG		7.0 InWG		8.0 InWG	
		RPM	BHP	RPM	BHP	RPM	BHP	RPM	BHP	RPM	BHP	RPM	BHP	RPM	BHP
9000	887														
10000	986														
12000	1183														
14000	1381														
16000	1578														
18000	1775	783	14.80												
20000	1972	784	16.50	846	19.30										
22000	2170	787	18.40	847	21.30	906	24.20								
24000	2367	792	20.40	850	23.40	907	26.60								
26000	2564	799	22.60	856	25.80	910	29.10	1012	35.80						
28000	2761	809	25.00	863	28.40	915	31.90	1015	39.00	1109	46.30				
30000	2958	820	27.70	872	31.20	923	34.80	1019	42.30	1111	50.00	1196	57.80		
32000	3156	833	30.70	883	34.30	932	38.00	1026	45.80	1114	53.80	1199	62.10		
34000	3353	849	34.10	896	37.70	943	41.50	1034	49.50	1120	57.90	1203	66.50	1282	75.30
36000	3550	868	38.10	911	41.50	955	45.30	1043	53.60	1128	62.30	1208	71.20	1285	80.40
38000	3747	890	42.50	929	45.90	970	49.60	1054	58.00	1136	67.00	1214	76.20	1290	85.70
40000	3945	913	47.40	950	50.80	987	54.40	1066	62.70	1146	71.90	1222	81.50	1296	91.40
42000	4142	939	52.80	972	56.20	1007	59.80	1081	68.00	1157	77.20	1231	87.10	1304	97.30
44000	4340	965	58.80	996	62.20	1029	65.80	1097	73.80	1169	83.00	1241	93.00	1312	103.5
46000	4536	992	65.20	1022	68.70	1053	72.40	1116	80.30	1184	89.40	1253	99.40	1322	110.1
48000	4738	1020	72.10	1049	75.80	1078	79.50	1137	87.40	1200	96.30	1266	106.3	1333	117.1

## ATEX-26 Double Inlet CENTRIFUGAL FAN - SINGLE FAN

Outlet Area=6.65ft<sup>2</sup> Wheel Dia.=26Inch Tip Speed=RPM×6.8  
 Max Wheel RPM: Des.1= 882, Des.2= 1029, Des.3= 1176

TABLE7(CONT.)

Volume of Air (CFM)	Outlet Velocity (FPM)	0.5 InWG		0.75 InWG		1.0 InWG		1.25 InWG		1.5 InWG		2.0 InWG		2.5 InWG	
		RPM	BHP	RPM	BHP	RPM	BHP	RPM	BHP	RPM	BHP	RPM	BHP	RPM	BHP
6000	902	267	0.73	336	1.16										
6500	977	268	0.80	332	1.27	392	1.17								
7500	1128	274	0.97	327	1.37	383	1.87	435	2.43						
8500	1278	284	1.20	330	1.60	378	2.07	427	2.63	473	3.22				
9500	1428	297	1.48	338	1.89	379	2.35	422	2.89	466	3.51	551	4.94		
10500	1579	311	1.80	349	2.24	386	2.71	424	3.23	462	3.82	542	5.24	619	6.89
11500	1729	326	2.18	362	2.65	396	3.14	430	3.67	464	4.24	536	5.60	609	7.23
12500	1880	342	2.62	376	3.13	407	3.65	439	4.19	470	4.76	534	6.08	601	7.64
13500	2030	358	3.12	390	3.66	421	4.22	450	4.78	479	5.37	536	6.67	597	8.18
14500	2180	375	3.65	406	4.27	435	4.86	462	5.45	489	6.07	543	7.38	597	8.86
15500	2331			422	4.95	449	5.57	476	6.20	501	6.85	552	8.19	602	9.66
16500	2481			438	5.71	465	6.37	490	7.03	515	7.71	562	9.10	609	10.59
17500	2631			464	6.51	481	7.24	505	7.95	529	8.66	574	10.11	619	11.63
18500	2782					497	8.20	520	8.95	543	9.70	587	11.21	629	12.78
19500	2932					513	9.26	536	10.05	558	10.83	601	12.42	641	14.04
21000	3158					539	10.37	560	11.91	582	12.75	622	14.45	660	16.17
23000	3458							610	14.51	614	15.64	652	17.49	688	19.35
25000	3760									664	18.75	684	20.99	718	23.00
27000	4060											716	24.99	749	27.15
29000	4361											749	29.26	797	31.56
31000	4661														

20

Volume of Air (CFM)	Outlet Velocity (FPM)	3.0 InWG		3.5 InWG		4.0 InWG		5.0 InWG		6.0 InWG		7.0 InWG		8.0 InWG	
		RPM	BHP	RPM	BHP	RPM	BHP	RPM	BHP	RPM	BHP	RPM	BHP	RPM	BHP
6000	902														
6500	977														
7500	1128														
8500	1278														
9500	1428														
10500	1579														
11500	1729														
12500	1880	665	9.42												
13500	2030	659	9.94	719	11.87										
14500	2180	654	10.55	712	12.47	768	14.54								
15500	2331	654	11.31	707	13.16	761	15.24								
16500	2481	657	12.21	706	14.02	756	16.02	856	20.54						
17500	2631	663	13.25	708	15.03	754	16.98	850	21.44						
18500	2782	671	14.43	713	16.20	756	18.10	845	22.44	935	27.40				
19500	2932	681	15.73	721	17.50	761	19.40	844	23.63	929	28.55	1017	33.32		
21000	3158	698	17.94	735	19.76	772	21.68	848	25.85	925	30.60	1005	35.98	1080	41.51
23000	3458	723	21.24	758	23.17	792	25.15	859	29.34	928	33.96	1000	39.10	1071	44.81
25000	3760	751	25.03	783	27.09	815	29.17	877	33.49	940	38.11	1003	43.12	1068	48.61
27000	4060	781	29.33	811	31.53	841	33.74	900	38.27	958	42.99	1015	48.00	1073	53.37
29000	4361	811	34.17	841	36.52	869	38.88	925	43.65	979	48.56	1032	53.66	1086	59.04
31000	4661	843	39.60	871	42.09	899	44.60	952	49.65	1003	54.79	1053	60.07	1104	65.54

**ATEX-26 Double Inlet Centrifugal Fan - Duplex Fan**

Outlet Area=13.3ft<sup>2</sup> Wheel Dia.=26Inch Tip Speed=RPM×6.8  
Max Wheel RPM: Des.1= 882, Des.2= 1029, Des.3= 1176

Table7(Cont.)

Volume of Air (CFM)	Outlet Velocity (FPM)	0.5 InWG		0.75 InWG		1.0 InWG		1.25 InWG		1.5 InWG		2.0 InWG		2.5 InWG	
		RPM	BHP	RPM	BHP	RPM	BHP	RPM	BHP	RPM	BHP	RPM	BHP	RPM	BHP
12000	902	279	1.64	346	2.58										
13000	977	280	1.79	344	2.73	400	3.80								
15000	1128	285	2.15	342	3.08	397	4.20	446	5.40						
17000	1278	294	2.64	344	3.55	395	4.65	443	5.92	488	7.26				
19000	1428	307	3.26	351	4.16	396	5.24	441	6.50	485	7.90	566	10.99		
21000	1579	323	4.00	361	4.92	401	5.98	442	7.22	483	8.61	562	11.77	633	15.27
23000	1729	341	4.89	375	5.83	410	6.90	447	8.12	484	9.48	559	12.62	629	16.21
25000	1880	359	5.93	390	6.91	422	8.00	455	9.21	489	10.55	558	13.65	626	17.23
27000	2030	379	7.14	407	8.16	435	9.27	466	10.49	496	11.83	560	14.88	624	18.43
29000	2180	399	8.43	425	9.59	451	10.74	479	11.98	507	13.32	565	16.34	625	19.84
31000	2331			443	11.21	468	12.40	493	13.67	519	15.03	572	18.04	628	21.50
33000	2481			463	13.03	486	14.27	509	15.58	533	16.96	582	19.98	633	23.41
35000	2631			483	14.97	504	16.36	526	17.71	549	19.12	594	22.18	641	25.59
37000	2782					524	18.68	544	20.07	565	21.52	608	24.63	651	28.06
39000	2932					544	21.24	563	22.68	583	24.17	622	27.34	663	30.80
42000	3158					564	23.92	592	27.18	610	28.74	647	32.03	684	35.56
46000	3458							630	33.44	648	35.68	682	39.14	715	42.80
50000	3760									686	43.20	719	47.47	749	51.30
54000	4060											758	57.12	785	61.14
58000	4361											798	67.45	822	71.66
62000	4661														

Volume of Air (CFM)	Outlet Velocity (FPM)	3.0 InWG		3.5 InWG		4.0 InWG		5.0 InWG		6.0 InWG		7.0 InWG		8.0 InWG	
		RPM	BHP	RPM	BHP	RPM	BHP	RPM	BHP	RPM	BHP	RPM	BHP	RPM	BHP
12000	902														
13000	977														
15000	1128														
17000	1278														
19000	1428														
21000	1579														
23000	1729														
25000	1880	688	21.05												
27000	2030	686	22.35	744	26.55										
29000	2180	684	23.75	741	28.05	795	32.55								
31000	2331	683	25.35	739	29.65	792	34.25								
33000	2481	686	27.20	738	31.45	790	36.05	888	46.10						
35000	2631	690	29.15	740	33.55	789	38.10	885	48.30						
37000	2782	697	31.80	743	35.95	791	40.45	883	50.60	971	61.65				
39000	2932	706	34.55	749	38.65	794	43.10	882	53.15	969	64.35	1052	74.80		
42000	3158	723	39.35	762	43.45	803	47.85	885	57.70	967	68.85	1047	81.00	1122	93.45
46000	3458	749	46.65	784	50.80	820	55.20	894	64.90	969	75.85	1045	87.90	1118	100.9
50000	3760	780	55.25	811	59.50	844	63.95	910	73.65	978	84.40	1048	96.25	1116	109.2
54000	4060	813	65.25	842	69.60	872	74.15	932	83.90	993	94.60	1058	106.3	1120	119.0
58000	4361	849	76.70	876	81.20	903	85.85	958	95.75	1013	106.5	1071	118.1	1130	130.7
62000	4661	887	89.65	912	94.35	936	99.15	987	109.3	1038	120.1	1091	131.8	1145	144.3

## ATEX-29 Double Inlet CENTRIFUGAL FAN - SINGLE FAN

Outlet Area=8.23ft<sup>2</sup> Wheel Dia.=29.25Inch Tip Speed=RPM×7.65  
 Max Wheel RPM: Des.1= 784, Des.2= 915, Des.3= 1045

Table7(Cont.)

Volume of Air (CFM)	Outlet Velocity (FPM)	0.5 InWG		0.75 InWG		1.0 InWG		1.25 InWG		1.5 InWG		2.0 InWG		2.5 InWG	
		RPM	BHP	RPM	BHP	RPM	BHP	RPM	BHP	RPM	BHP	RPM	BHP	RPM	BHP
8000	960	237	0.97	296	1.51										
8500	1020	238	1.05	293	1.57	346	2.23								
9500	1140	243	1.23	291	1.73	340	2.36	388	3.10						
10500	1260	261	1.46	292	1.95	336	2.55	381	3.27	424	4.08				
11500	1380	259	1.72	297	2.22	339	2.80	376	3.50	417	4.30				
12500	1501	268	2.02	304	2.54	339	3.13	375	3.80	412	4.57	487	6.38		
13500	1621	278	2.36	312	2.91	344	3.51	377	4.17	411	4.91	481	6.70	548	8.79
14500	1741	289	2.74	321	3.33	351	3.95	381	4.61	412	5.34	476	7.06	541	9.13
15500	1861	300	3.17	331	3.79	359	4.44	387	5.12	416	5.84	474	7.51	535	9.52
17000	2041	317	3.92	346	4.60	373	5.30	399	6.02	425	6.76	477	8.41	531	10.34
19000	2281	342	4.97	368	5.85	393	6.62	417	7.40	440	8.19	487	9.87	533	11.74
21000	2521			391	7.33	414	8.18	437	9.03	459	9.88	501	11.66	543	13.54
23000	2761			415	8.94	436	10.00	458	10.92	479	11.85	518	13.75	556	15.71
25000	3001					460	11.96	480	13.11	500	14.11	537	16.15	573	18.22
27000	3241							503	15.61	522	16.69	557	18.87	591	21.08
29000	3481							526	18.27	544	19.60	578	21.93	611	24.28
31000	3721									567	22.69	600	25.35	631	27.86
33000	3961											623	29.17	653	31.82
35000	4202											646	33.40	675	36.19
37000	4442											669	37.85	697	40.78
39000	4682														

Volume of Air (CFM)	Outlet Velocity (FPM)	3.0 InWG		3.5 InWG		4.0 InWG		5.0 InWG		6.0 InWG		7.0 InWG		8.0 InWG	
		RPM	BHP	RPM	BHP	RPM	BHP	RPM	BHP	RPM	BHP	RPM	BHP	RPM	BHP
8000	960														
8500	1020														
9500	1140														
10500	1260														
11500	1380														
12500	1501														
13500	1621														
14500	1741														
15500	1861	597	11.51												
17000	2041	587	12.57	638	14.88										
19000	2281	581	13.86	631	16.25	677	18.66								
21000	2521	584	15.61	628	17.89	672	20.42	759	25.95						
23000	2761	594	17.79	633	20.03	672	22.46	753	28.01	830	34.16				
25000	3001	608	20.37	643	22.63	678	25.03	750	30.38	825	36.56	897	43.25		
27000	3241	624	23.33	656	25.66	689	28.08	754	33.35	822	39.31	891	46.05	958	53.22
29000	3481	642	26.67	672	29.10	703	31.59	763	36.89	824	42.73	887	49.23	952	56.48
31000	3721	661	30.38	690	32.94	719	35.54	775	40.95	832	46.77	889	53.13	949	60.13
33000	3961	681	34.49	710	37.18	737	39.91	790	45.50	843	51.40	896	57.72	951	64.56
35000	4202	703	39.02	730	41.85	756	44.71	807	50.54	857	56.58	907	62.94	957	69.73
37000	4442	725	43.98	750	46.97	776	49.97	825	56.06	872	62.30	920	68.77	967	75.59
39000	4682	747	49.41	772	52.55	796	55.70	844	62.07	890	65.56	935	75.19	979	82.10

## ATEX-29 Double Inlet Centrifugal Fan - Duplex Fan

Outlet Area=16.46ft<sup>2</sup> Wheel Dia.=29.25Inch Tip Speed=RPM×7.65  
 Max Wheel RPM: Des.1= 784, Des.2= 915, Des.3= 1045

Table7(Cont.)

Volume of Air (CFM)	Outlet Velocity (FPM)	0.5 InWG		0.75 InWG		1.0 InWG		1.25 InWG		1.5 InWG		2.0 InWG		2.5 InWG	
		RPM	BHP	RPM	BHP	RPM	BHP	RPM	BHP	RPM	BHP	RPM	BHP	RPM	BHP
16000	960	248	2.10	306	3.30										
17000	1020	249	2.30	305	3.45	355	4.90								
19000	1140	253	2.70	304	3.85	353	5.30	397	7.00						
21000	1260	259	3.15	305	4.35	351	5.70	395	7.35	435	9.00				
23000	1380	268	3.70	309	4.90	351	6.20	393	7.85	432	9.60				
25000	1501	278	4.40	315	5.55	353	6.90	392	8.45	430	10.25	501	14.60		
27000	1621	290	5.20	323	6.35	358	7.70	394	9.25	430	11.00	499	15.00	562	19.40
29000	1741	302	6.10	332	7.30	364	8.60	397	10.20	431	11.90	497	15.85	559	20.40
31000	1861	315	7.10	343	8.35	372	9.70	402	11.25	433	12.95	496	16.85	557	21.40
34000	2041	336	8.90	361	10.20	387	11.65	413	13.15	441	14.85	498	18.75	555	23.20
38000	2281	364	11.50	386	13.20	409	14.65	432	16.20	456	17.90	506	21.80	557	26.15
42000	2521			414	16.75	434	18.30	454	19.95	475	21.70	519	25.55	564	29.90
46000	2761			442	20.70	460	22.65	479	24.40	497	26.25	436	31.10	576	34.50
50000	3001					487	27.35	505	29.60	522	31.55	557	35.55	593	39.95
54000	3241							532	35.65	548	37.65	580	41.85	612	46.30
58000	3481							560	42.15	575	44.65	604	49.00	634	53.60
62000	3721									603	52.15	630	57.15	658	61.90
66000	3961											657	66.30	683	71.25
70000	4202											685	76.50	709	81.70
74000	4442											713	87.30	740	92.70
78000	4682														

23

Volume of Air (CFM)	Outlet Velocity (FPM)	3.0 InWG		3.5 InWG		4.0 InWG		5.0 InWG		6.0 InWG		7.0 InWG		8.0 InWG	
		RPM	BHP	RPM	BHP	RPM	BHP	RPM	BHP	RPM	BHP	RPM	BHP	RPM	BHP
16000	960														
17000	1020														
19000	1140														
21000	1260														
23000	1380														
25000	1501														
27000	1621														
29000	1741														
31000	1861	614	25.80												
34000	2041	610	28.25	662	33.40										
38000	2281	608	31.10	658	36.60	704	42.10								
42000	2521	610	34.75	656	40.15	702	45.95	788	58.50						
46000	2761	618	39.30	660	44.55	702	50.30	785	63.10	865	76.90				
50000	3001	630	44.75	668	49.95	707	55.60	784	68.20	861	82.35	932	97.40		
54000	3241	646	51.15	680	56.35	715	61.95	787	74.35	859	88.35	929	103.8	996	119.9
58000	3481	665	58.55	696	63.80	728	69.35	794	81.65	861	94.45	928	110.8	994	127.3
62000	3721	686	69.95	715	72.30	744	77.85	805	90.15	867	103.7	929	118.9	992	135.3
66000	3961	709	76.45	736	81.90	763	87.55	818	99.85	876	113.4	934	128.2	993	144.5
70000	4202	733	87.05	758	92.65	783	98.40	835	110.8	888	124.3	943	138.8	998	155.1
74000	4442	759	98.80	782	104.6	806	110.4	854	123.0	903	136.6	954	151.3	1006	167.2
78000	4682	785	111.8	807	117.7	830	123.8	874	136.6	921	150.3	968	165.0	1017	168.8



## ATEX-32 Double Inlet Centrifugal Fan - Single Fan

Outlet Area=9.91ft<sup>2</sup> Wheel Dia.=32.5Inch Tip Speed=RPM×8.5  
Max Wheel RPM: Des.1= 706, Des.2= 823, Des.3= 941

Table7(Cont.)

Volume of Air (CFM)	Outlet Velocity (FPM)	0.5 InWG		0.75 InWG		1.0 InWG		1.25 InWG		1.5 InWG		2.0 InWG		2.5 InWG	
		RPM	BHP	RPM	BHP	RPM	BHP	RPM	BHP	RPM	BHP	RPM	BHP	RPM	BHP
10000	1009	214	1.22	266	1.87										
10500	1059	215	1.30	264	1.93	312	2.74								
11500	1160	218	1.47	261	2.09	307	2.88	350	3.80						
12500	1261	223	1.68	262	2.29	303	3.05	345	3.96	385	5.00				
13500	1362	229	1.93	264	2.54	302	3.27	341	4.15	379	5.16				
14500	1463	235	2.20	268	2.83	303	3.55	338	4.40	374	5.38				
15500	1564	242	2.51	274	3.16	305	3.88	337	4.71	371	5.66	440	7.72		
17000	1715	253	3.04	283	3.74	312	4.48	341	5.30	370	6.22	432	8.40	489	10.88
19000	1917	269	3.86	297	4.63	323	5.42	348	6.26	374	7.16	427	9.23	482	11.72
21000	2119	285	4.84	311	5.68	336	6.54	359	7.42	383	8.35	429	10.38	478	12.75
23000	2321	302	5.90	327	6.90	350	7.83	372	8.78	394	9.75	436	11.81	479	14.12
25000	2523			344	8.32	366	9.32	386	10.34	406	11.37	445	13.51	484	15.81
27000	2725			360	9.84	382	11.02	401	12.10	420	13.20	457	15.45	493	17.81
29000	2926					398	12.93	417	14.09	435	15.27	470	17.65	504	20.10
31000	3128					415	14.96	433	16.32	451	17.57	484	20.09	516	22.66
33000	3330							450	18.81	467	20.13	499	22.80	530	25.50
35000	3532							467	21.43	483	22.96	514	25.78	544	28.62
37000	3734									500	26.08	530	29.05	558	32.04
39000	3935									517	29.35	546	32.62	574	35.76
41000	4137											563	36.52	590	39.80
43000	4339											580	40.75	606	44.18

Volume of Air (CFM)	Outlet Velocity (FPM)	3.0 InWG		3.5 InWG		4.0 InWG		5.0 InWG		6.0 InWG		7.0 InWG		8.0 InWG	
		RPM	BHP	RPM	BHP	RPM	BHP	RPM	BHP	RPM	BHP	RPM	BHP	RPM	BHP
10000	1009														
10500	1059														
11500	1160														
12500	1261														
13500	1362														
14500	1463														
15500	1564														
17000	1715														
19000	1917	534	14.46												
21000	2119	527	15.50	575	18.94										
23000	2321	523	16.74	569	19.73	613	22.85								
25000	2523	524	18.37	565	21.23	607	24.41	668	31.50						
27000	2725	529	20.36	566	23.13	604	26.19	681	33.22						
29000	2926	537	22.68	571	25.44	605	28.42	676	35.19	746	42.83				
31000	3128	547	25.32	579	28.11	610	31.07	675	37.66	742	45.27	807	53.66		
33000	3330	559	28.27	589	31.12	618	34.11	678	40.61	739	47.99	802	56.36	865	65.42
35000	3532	572	31.51	601	34.46	628	37.51	683	44.02	740	51.25	799	59.37	859	68.42
37000	3734	586	35.06	613	38.13	639	41.28	691	47.87	745	55.04	799	62.97	854	71.75
39000	3935	600	38.93	626	42.13	651	45.39	701	52.12	751	59.32	802	67.14	853	75.71
41000	4137	615	43.12	640	46.47	665	49.84	713	56.77	760	64.06	807	71.86	856	80.29
43000	4339	631	47.65	655	51.14	679	54.66	725	61.82	770	69.25	815	77.10	861	85.47

**ATEX-32 DOUBLE INLET CENTRIFUGAL FAN - DUPLEX FAN**

Outlet Area=19.82ft<sup>2</sup> Wheel Dia.=32.5Inch Tip Speed=RPM×8.5  
Max Wheel RPM: Des.1= 706, Des.2= 823, Des.3= 941

TABLE7(CONT.)

Volume of Air (CFM)	Outlet Velocity (FPM)	0.5 InWG		0.75 InWG		1.0 InWG		1.25 InWG		1.5 InWG		2.0 InWG		2.5 InWG	
		RPM	BHP	RPM	BHP	RPM	BHP	RPM	BHP	RPM	BHP	RPM	BHP	RPM	BHP
20000	1009	223	2.70	275	4.20										
21000	1059	224	2.85	274	4.35	320	6.00								
23000	1160	226	3.20	273	4.70	318	6.40	358	8.40						
25000	1261	231	3.65	274	5.10	316	6.85	356	8.80	393	11.00				
27000	1362	237	4.20	276	5.60	316	7.35	351	9.30	391	11.50				
29000	1463	243	4.80	279	6.20	316	7.90	353	9.90	389	12.10				
31000	1564	251	5.50	283	6.90	318	8.60	353	10.55	387	12.75	451	17.60		
34000	1715	264	6.75	293	8.20	323	9.85	355	11.75	387	13.95	448	18.85	504	24.40
38000	1917	282	8.65	308	10.20	334	11.85	362	13.75	390	15.90	447	20.75	501	26.35
42000	2119	302	11.00	325	12.60	348	14.35	372	16.25	397	18.35	448	23.10	499	28.65
46000	2321	322	13.60	343	15.50	364	17.30	385	19.25	408	21.35	453	26.05	500	31.50
50000	2523			363	18.90	382	20.80	401	22.80	421	24.95	462	29.65	505	35.00
54000	2725			383	22.50	400	24.85	418	26.90	436	29.10	473	33.85	512	39.20
58000	2926					420	29.45	436	31.60	453	33.85	487	38.70	522	44.10
62000	3128					440	31.90	456	36.90	471	39.25	502	44.25	534	49.70
66000	3330							476	42.85	490	45.30	519	50.50	548	56.05
70000	3532							496	49.15	509	52.10	537	57.45	564	63.10
74000	3734									529	59.65	555	65.15	581	70.95
78000	3935									550	67.60	574	73.70	599	79.65
82000	4137											594	83.10	617	89.20
86000	4339											614	93.35	636	99.65

25

Volume of Air (CFM)	Outlet Velocity (FPM)	3.0 InWG		3.5 InWG		4.0 InWG		5.0 InWG		6.0 InWG		7.0 InWG		8.0 InWG	
		RPM	BHP	RPM	BHP	RPM	BHP	RPM	BHP	RPM	BHP	RPM	BHP	RPM	BHP
20000	1009														
21000	1059														
23000	1160														
25000	1261														
27000	1362														
29000	1463														
31000	1564														
34000	1715														
38000	1917	553	32.40												
42000	2119	549	34.85	595	41.40										
46000	2321	547	37.65	592	44.40	635	51.40								
50000	2523	548	41.05	591	47.75	633	55.00	711	70.60						
54000	2725	551	45.15	592	51.75	632	58.90	708	74.80						
58000	2926	558	50.00	595	56.45	633	63.55	706	79.30	777	96.60				
62000	3128	567	55.60	602	62.00	636	69.00	706	84.55	775	102.0	839	120.8		
66000	3330	579	61.95	611	68.40	643	75.25	708	90.65	773	108.0	837	127.0	898	147.2
70000	3532	593	69.10	622	75.60	651	82.45	712	97.65	774	114.8	835	133.8	895	154.2
74000	3734	607	77.10	634	83.65	662	90.55	719	105.6	777	130.9	835	141.4	893	161.8
78000	3935	623	85.95	648	92.55	674	99.50	727	114.6	782	131.4	837	149.5	893	170.2
82000	4137	640	95.65	664	102.3	688	109.4	738	124.2	789	141.3	841	159.6	894	179.6
86000	4339	658	105.8	680	113.2	703	102.3	750	136.5	798	152.2	847	170.4	898	190.2

### ATEX-11 SINGLE INLET CENTRIFUGAL FAN - UNITARY FAN

Outlet Area= 0.72ft<sup>2</sup>      Wheel Dia.=11.375Inch      Tip Speed=RPM×2.99  
 Max Wheel RPM: Des.1= 2007, Des.2= 2341, Des.3= 2675

Table 8

Volume of Air (CFM)	Outlet Velocity (FPM)	0.5 InWG		0.75 InWG		1.0 InWG		1.25 InWG		1.5 InWG		2.0 InWG		2.5 InWG	
		RPM	BHP	RPM	BHP	RPM	BHP	RPM	BHP	RPM	BHP	RPM	BHP	RPM	BHP
500	694	640	0.07												
550	764	649	0.07	776	0.11	915	0.15								
650	903	674	0.09	790	0.13	908	0.17	1016	0.22						
750	1041	711	0.12	811	0.16	911	0.20	1014	0.25	1108	0.30				
850	1180	754	0.15	844	0.19	932	0.24	1020	0.28	1110	0.34	1283	0.45		
950	1319	798	0.19	884	0.24	963	0.28	1041	0.33	1120	0.38	1281	0.50	1436	0.63
1050	1458	844	0.24	927	0.29	1001	0.34	1072	0.39	1143	0.44	1286	0.56	1432	0.69
1150	1597	890	0.30	971	0.35	1043	0.40	1110	0.45	1175	0.51	1303	0.62	1435	0.76
1250	1736	938	0.36	1017	0.42	1087	0.47	1151	0.53	1212	0.58	1330	0.70	1450	0.84
1350	1875	986	0.43	1063	0.49	1132	0.55	1194	0.61	1253	0.67	1364	0.80	1474	0.93
1450	2014			1110	0.58	1177	0.65	1238	0.71	1295	0.77	1402	0.91	1505	1.04
1550	2153			1158	0.68	1223	0.75	1284	0.82	1339	0.89	1443	1.02	1540	1.17
1650	2291			1206	0.78	1270	0.86	1330	0.94	1384	1.01	1485	1.16	1579	1.30
1750	2430					1318	0.99	1376	1.07	1430	1.11	1529	1.30	1620	1.46
1850	2569					1366	1.12	1422	1.21	1476	1.30	1573	1.46	1663	1.62
1950	2708							1470	1.37	1522	1.46	1619	1.63	1707	1.80
2100	2916							1518	1.54	1593	1.74	1688	1.92	1774	2.11
2300	3194									1688	2.26	1781	2.36	1865	2.57
2500	3472											1876	2.87	1957	3.09
2700	3750											1972	3.42	2051	3.70
2800	3888													2099	4.02

Volume of Air (CFM)	Outlet Velocity (FPM)	3.0 InWG		3.5 InWG		4.0 InWG		5.0 InWG		6.0 InWG		7.0 InWG		8.0 InWG	
		RPM	BHP	RPM	BHP	RPM	BHP	RPM	BHP	RPM	BHP	RPM	BHP	RPM	BHP
500	694														
550	764														
650	903														
750	1041														
850	1180														
950	1319														
1050	1458														
1150	1597	1562	0.90												
1250	1736	1571	0.99	1687	1.14										
1350	1875	1584	1.08	1696	1.24	1805	1.41								
1450	2014	1607	1.19	1710	1.35	1814	1.53	2022	1.90						
1550	2153	1636	1.32	1731	1.48	1827	1.65	2024	2.03						
1650	2291	1670	1.46	1759	1.62	1848	1.80	2031	2.17	2212	2.59				
1750	2430	1707	1.62	1791	1.78	1876	1.96	2046	2.34	2219	2.76				
1850	2569	1747	1.79	1828	1.96	1908	2.14	2068	2.52	2230	2.94	2391	3.38		
1950	2708	1789	1.98	1867	2.16	1944	2.34	2096	2.72	2247	3.14	2402	3.59	2547	3.94
2100	2916	1854	2.30	1929	2.48	2003	2.68	2146	3.07	2286	3.49	2428	3.95	2572	4.44
2300	3194	1943	2.77	2016	2.97	2086	3.18	2220	3.60	2350	4.03	2478	4.49	2608	4.98
2500	3472	2034	3.32	2106	3.54	2173	3.76	2302	4.20	2424	4.66	2543	5.14	2662	5.63
2700	3750	2126	3.94	2197	4.18	2263	4.41	2388	4.89	2506	5.38	2618	5.87	2724	6.33
2800	3888	2173	4.27	2243	4.52	2309	4.76	2432	5.26	2548	5.76	2658	6.26		

26

## ATEX-13 SINGLE INLET CENTRIFUGAL FAN - UNITARY FAN

Outlet Area= 0.82ft<sup>2</sup> Wheel Dia.=13Inch Tip Speed=RPM×3.4  
Max Wheel RPM: Des.1= 1764, Des.2= 2059, Des.3= 2353

Table8(Cont.)

Volume of Air (CFM)	Outlet Velocity (FPM)	0.5 InWG		0.75 InWG		1.0 InWG		1.25 InWG		1.5 InWG		2.0 InWG		2.5 InWG	
		RPM	BHP	RPM	BHP	RPM	BHP	RPM	BHP	RPM	BHP	RPM	BHP	RPM	BHP
600	736	571	0.08	717	0.13										
650	797	572	0.08	709	0.13	835	0.18								
750	920	581	0.10	700	0.15	819	0.20	928	0.26						
850	1043	600	0.12	703	0.17	808	0.22	913	0.28	1010	0.35				
950	1166	625	0.15	717	0.19	809	0.25	903	0.31	997	0.38				
1050	1288	653	0.18	737	0.22	819	0.28	903	0.34	989	0.41	1154	0.55		
1150	1411	683	0.21	762	0.26	837	0.32	913	0.38	990	0.45	1145	0.60	1295	0.77
1250	1534	714	0.25	790	0.31	860	0.36	929	0.43	999	0.49	1141	0.64	1284	0.82
1350	1656	745	0.30	820	0.36	886	0.42	950	0.48	1014	0.55	1144	0.70	1276	0.87
1450	1779	777	0.35	850	0.41	914	0.48	975	0.54	1035	0.61	1154	0.76	1275	0.93
1550	1902			880	0.47	944	0.54	1002	0.61	1058	0.68	1170	0.83	1282	1.00
1650	2025			911	0.54	974	0.61	1030	0.69	1084	0.76	1189	0.92	1294	1.09
1750	2147			943	0.62	1004	0.69	1060	0.77	1112	0.85	1212	1.01	1310	1.18
1900	2331					1051	0.83	1106	0.92	1156	1.00	1252	1.17	1343	1.35
2100	2577							1168	1.13	1217	1.22	1308	1.41	1392	1.60
2300	2822									1279	1.49	1367	1.69	1448	1.89
2500	3067									1342	1.79	1428	2.01	1507	2.23
2700	3313											1490	2.38	1567	2.61
2900	3558											1554	2.79	1629	3.04
3100	3804													1692	3.52
3200	3926													1724	3.77

Volume of Air (CFM)	Outlet Velocity (FPM)	3.0 InWG		3.5 InWG		4.0 InWG		5.0 InWG		6.0 InWG		7.0 InWG		8.0 InWG	
		RPM	BHP	RPM	BHP	RPM	BHP	RPM	BHP	RPM	BHP	RPM	BHP	RPM	BHP
600	736														
650	797														
750	920														
850	1043														
950	1166														
1050	1288														
1150	1411														
1250	1534	1422	1.01												
1350	1656	1409	1.06	1536	1.27										
1450	1779	1400	1.12	1523	1.33	1634	1.58								
1550	1902	1397	1.19	1513	1.40	1628	1.63								
1650	2025	1400	1.28	1508	1.48	1618	1.71								
1750	2147	1410	1.37	1510	1.58	1613	1.80	1817	2.12						
1900	2331	1434	1.54	1525	1.74	1618	1.96	1807	2.45	1986	2.97				
2100	2577	1475	1.79	1557	2.00	1640	2.22	1807	2.71	1978	3.25	2140	3.82		
2300	2822	1525	2.10	1601	2.31	1676	2.54	1826	3.02	1979	3.56	2135	4.15	2284	4.75
2500	3067	1581	2.45	1652	2.67	1721	2.90	1859	3.39	1998	3.93	2139	4.51	2282	5.14
2700	3313	1639	2.85	1707	3.08	1773	3.32	1901	3.83	2029	4.37	2157	4.95	2288	5.57
2900	3558	1699	3.29	1766	3.54	1829	3.80	1951	4.32	2069	4.87	2188	5.45	2308	6.08
3100	3804	1761	3.79	1826	4.06	1887	4.33	2005	4.87	2117	5.44	2228	6.04	2339	6.66
3200	3926	1792	4.05	1856	4.33	1917	4.61	2033	5.17	2142	5.75	2250	6.35	2357	6.98

**ATEX-14 SINGLE INLET CENTRIFUGAL FAN - UNITARY FAN**

Outlet Area= 1.2ft<sup>2</sup> Wheel Dia.=14.625Inch Tip Speed=RPM×3.85  
Max Wheel RPM: Des.1= 1558, Des.2= 1818, Des.3= 2078

Table8(Cont.)

Volume of Air (CFM)	Outlet Velocity (FPM)	0.5 InWG		0.75 InWG		1.0 InWG		1.25 InWG		1.5 InWG		2.0 InWG		2.5 InWG	
		RPM	BHP	RPM	BHP	RPM	BHP	RPM	BHP	RPM	BHP	RPM	BHP	RPM	BHP
900	750	489	0.12	596	0.18										
1000	833	501	0.14	597	0.19	682	0.25								
1200	1000	532	0.18	611	0.24	690	0.31	760	0.38	840	0.46				
1400	1166	570	0.25	640	0.31	706	0.38	773	0.45	842	0.54	972	0.72		
1600	1333	611	0.32	676	0.39	735	0.47	793	0.54	852	0.63	972	0.82	1084	1.02
1800	1500	653	0.42	715	0.50	771	0.58	824	0.66	875	0.74	979	0.93	1086	1.15
2000	1666	696	0.53	757	0.62	811	0.71	860	0.80	907	0.88	1000	1.08	1094	1.29
2200	1833	739	0.66	799	0.77	851	0.86	899	0.96	944	1.05	1029	1.25	1113	1.47
2400	2000			842	0.94	893	1.04	939	1.14	983	1.24	1064	1.46	1141	1.68
2600	2166			885	1.12	935	1.24	981	1.35	1023	1.46	1101	1.69	1174	1.92
2800	2250					979	1.47	1023	1.59	1065	1.71	1141	1.96	1211	2.20
3000	2333					1023	1.72	1066	1.86	1107	1.99	1181	2.25	1249	2.51
3200	2666							1109	2.17	1149	2.30	1222	2.58	1289	2.85
3400	2833							1152	2.49	1192	2.65	1264	2.94	1330	3.23
3600	3000									1236	3.03	1307	3.34	1371	3.65
3800	3166									1280	3.44	1349	3.78	1413	4.10
4000	3333											1393	4.26	1456	4.60
4200	3500											1437	4.78	1498	5.14
4400	3666											1481	5.33	1541	5.73
4600	3833													1585	6.36
4700	3916													1607	6.69

Volume of Air (CFM)	Outlet Velocity (FPM)	3.0 InWG		3.5 InWG		4.0 InWG		5.0 InWG		6.0 InWG		7.0 InWG		8.0 InWG	
		RPM	BHP	RPM	BHP	RPM	BHP	RPM	BHP	RPM	BHP	RPM	BHP	RPM	BHP
900	750														
1000	833														
1200	1000														
1400	1166														
1600	1333														
1800	1500	1186	1.37												
2000	1666	1189	1.53	1280	1.77										
2200	1833	1199	1.70	1285	1.96	1368	2.22								
2400	2000	1219	1.92	1296	2.18	1376	2.45	1531	3.04						
2600	2166	1246	2.17	1317	2.43	1389	2.70	1535	3.31						
2800	2250	1278	2.45	1344	2.72	1410	2.99	1544	3.60	1682	4.25				
3000	2333	1313	2.77	1376	3.05	1438	3.33	1561	3.92	1687	4.61	1811	5.31		
3200	2666	1351	3.13	1411	3.41	1470	3.71	1585	4.32	1702	4.99	1820	5.72	1937	6.48
3400	2833	1391	3.53	1449	3.82	1505	4.12	1614	4.75	1723	5.43	1833	6.15	1945	6.94
3600	3000	1431	3.96	1488	4.27	1542	4.58	1647	5.23	1750	5.91	1853	6.65	1957	7.43
3800	3166	1472	4.43	1528	4.76	1581	5.09	1682	5.76	1780	6.46	1877	7.19	1975	7.98
4000	3333	1514	4.94	1569	5.29	1621	5.63	1720	6.33	1814	7.05	1906	7.80	1999	8.58
4200	3500	1558	5.50	1610	5.86	1661	6.22	1758	6.95	1849	7.69	1938	8.46	2027	9.25
4400	3666	1598	6.10	1652	6.48	1703	6.86	1798	7.62	1887	8.39	1973	9.17	2058	9.98
4600	3833	1641	6.75	1694	7.15	1745	7.55	1838	8.34	1925	9.13	2009	9.94	2091	10.77
4700	3916	1663	7.09	1716	7.50	1766	7.90	1859	8.71	1945	9.52	2028	10.34	2109	11.18

## ATEX-16 SINGLE INLET CENTRIFUGAL FAN - UNITARY FAN

Outlet Area= 1.33ft<sup>2</sup> Wheel Dia.=16.25Inch Tip Speed=RPM×4.25  
 Max Wheel RPM: Des.1= 1411, Des.2= 1647, Des.3= 1882

Table8(Cont.)

Volume of Air (CFM)	Outlet Velocity (FPM)	0.5 InWG		0.75 InWG		1.0 InWG		1.25 InWG		1.5 InWG		2.0 InWG		2.5 InWG	
		RPM	BHP	RPM	BHP	RPM	BHP	RPM	BHP	RPM	BHP	RPM	BHP	RPM	BHP
1000	752	432	0.13	583	0.20										
1100	827	437	0.14	533	0.21	621	0.29								
1300	977	452	0.18	532	0.25	614	0.33	689	0.42	768	0.52				
1500	1128	476	0.23	545	0.30	614	0.38	685	0.48	756	0.58	887	0.80		
1700	1278	504	0.29	566	0.37	626	0.45	687	0.54	750	0.64	874	0.88		
1900	1428	533	0.37	592	0.45	646	0.53	700	0.63	755	0.73	866	0.96	972	1.22
2100	1579	563	0.45	620	0.54	671	0.63	720	0.73	768	0.83	867	1.06	968	1.33
2300	1729	810	0.55	649	0.65	698	0.75	744	0.85	788	0.96	877	1.19	968	1.45
2500	1880			679	0.78	726	0.88	770	0.99	812	1.10	894	1.34	976	1.60
2700	2030			709	0.92	756	1.04	798	1.15	838	1.27	915	1.51	990	1.78
2900	2180			740	1.08	786	1.21	828	1.33	866	1.46	939	1.71	1010	1.98
3100	2331					817	1.40	858	1.53	895	1.67	966	1.93	1033	2.21
3300	2481					847	1.60	888	1.75	925	1.90	994	2.18	1058	2.47
3500	2631							918	2.00	955	2.15	1022	2.45	1084	2.75
3700	2782							949	2.26	985	2.43	1052	2.74	1112	3.06
3900	2932									1016	2.74	1082	3.06	1141	3.40
4100	3083									1048	3.05	1112	3.41	1170	3.76
4300	3233											1142	3.79	1200	4.16
4500	3383											1173	4.20	1230	4.58
4700	3534											1204	4.62	1261	5.04
4900	3684													1291	5.52

Volume of Air (CFM)	Outlet Velocity (FPM)	3.0 InWG		3.5 InWG		4.0 InWG		5.0 InWG		6.0 InWG		7.0 InWG		8.0 InWG	
		RPM	BHP	RPM	BHP	RPM	BHP	RPM	BHP	RPM	BHP	RPM	BHP	RPM	BHP
1000	752														
1100	827														
1300	977														
1500	1128														
1700	1278														
1900	1428														
2100	1579	1065	1.62	1165	1.94										
2300	1729	1060	1.75	1153	2.07	1240	2.40								
2500	1880	1060	1.89	1145	2.21	1230	2.56								
2700	2030	1067	2.07	1144	2.38	1223	2.73	1377	3.47						
2900	2180	1080	2.27	1151	2.58	1224	2.92	1370	3.68	1513	4.50				
3100	2331	1098	2.50	1164	2.82	1231	3.16	1367	3.90	1504	4.74				
3300	2481	1119	2.77	1181	3.08	1243	3.42	1369	4.17	1498	5.00	1624	5.89		
3500	2631	1144	3.06	1202	3.38	1260	3.72	1377	4.46	1497	5.29	1619	6.19	1738	7.16
3700	2782	1170	3.38	1225	3.71	1281	4.06	1391	4.80	1503	5.62	1617	6.52	1732	7.50
3900	2932	1197	3.73	1251	4.07	1303	4.43	1408	5.17	1513	5.99	1620	6.89	1728	7.86
4100	3083	1225	4.11	1277	4.47	1328	4.83	1427	5.59	1527	6.41	1628	7.30	1730	8.26
4300	3233	1254	4.52	1305	4.89	1354	5.26	1450	6.04	1544	6.87	1640	7.76	1736	8.71
4500	3383	1283	4.96	1333	5.35	1382	5.73	1474	6.53	1565	7.37	1655	8.26	1747	9.22
4700	3534	1313	5.44	1362	5.83	1410	6.24	1500	7.06	1587	7.91	1674	8.81	1760	9.77
4900	3684	1343	5.94	1392	6.36	1438	6.77	1527	7.62	1611	8.49	1694	9.41	1777	10.37

## ATEX-17 SINGLE INLET CENTRIFUGAL FAN - UNITARY FAN

Outlet Area=1.54ft<sup>2</sup> Wheel Dia.=17.875Inch Tip Speed=RPM×4.69  
Max Wheel RPM: Des.1= 1279, Des.2= 1492, Des.3= 1706

Table8(Cont.)

Volume of Air (CFM)	Outlet Velocity (FPM)	0.5 InWG		0.75 InWG		1.0 InWG		1.25 InWG		1.5 InWG		2.0 InWG		2.5 InWG	
		RPM	BHP	RPM	BHP	RPM	BHP	RPM	BHP	RPM	BHP	RPM	BHP	RPM	BHP
1250	814	393	0.16	487	0.24										
1375	896	399	0.18	484	0.26	560	0.36								
1625	1059	415	0.23	485	0.31	557	0.41	623	0.52	693	0.63				
1875	1221	439	0.29	499	0.38	560	0.48	622	0.59	685	0.72	802	0.98		
2125	1384	465	0.38	521	0.47	574	0.57	627	0.68	682	0.81	792	1.09	895	1.40
2375	1547	493	0.47	546	0.57	594	0.68	641	0.79	689	0.92	786	1.20	885	1.52
2625	1710	522	0.59	573	0.70	618	0.81	661	0.93	704	1.06	790	1.34	879	1.66
2875	1873	550	0.71	601	0.84	644	0.97	685	1.09	724	1.22	802	1.50	882	1.82
3125	2036			629	1.01	672	1.14	711	1.28	748	1.41	820	1.70	892	2.02
3375	2199			657	1.20	700	1.34	738	1.49	773	1.63	841	1.83	908	2.26
3625	2361			686	1.40	728	1.57	766	1.73	800	1.88	865	2.19	927	2.52
3875	2524					756	1.82	794	1.99	828	2.15	891	2.49	950	2.83
4125	2687					785	2.09	822	2.28	856	2.46	917	2.81	974	3.16
4375	2850							851	2.61	884	2.79	945	3.16	1000	3.54
4625	3013							880	2.95	913	3.16	973	3.55	1027	3.94
4875	3176									942	3.56	1001	3.98	1054	4.39
5125	3339									927	3.98	1029	4.43	1082	4.87
5375	3502											1058	4.93	1111	5.39
5625	3665											1087	5.47	1139	5.95
5875	3827											1116	6.03	1167	6.55
6125	3990													1196	7.19

Volume of Air (CFM)	Outlet Velocity (FPM)	3.0 InWG		3.5 InWG		4.0 InWG		5.0 InWG		6.0 InWG		7.0 InWG		8.0 InWG	
		RPM	BHP	RPM	BHP	RPM	BHP	RPM	BHP	RPM	BHP	RPM	BHP	RPM	BHP
1250	814														
1375	896														
1625	1059														
1875	1221														
2125	1384														
2375	1547	977	1.87												
2625	1710	968	2.01	1053	2.39										
2875	1873	963	2.18	1044	2.56	1121	2.97								
3125	2036	965	2.37	1040	2.76	1114	3.17								
3375	2199	975	2.61	1043	2.99	1111	3.40	1246	4.30						
3625	2361	989	2.88	1052	3.26	1115	3.67	1243	4.58	1370	5.57				
3875	2524	1008	3.19	1066	3.57	1124	3.98	1243	4.88	1364	5.89				
4125	2687	1029	3.54	1084	3.92	1138	4.34	1248	5.23	1361	6.23	1472	7.31		
4375	2850	1053	3.92	1105	4.32	1156	4.74	1259	5.63	1363	6.63	1470	7.72	1574	8.87
4625	3013	1078	4.35	1128	4.75	1177	5.18	1273	6.08	1371	7.07	1471	8.15	1572	9.33
4875	3176	1104	4.81	1152	5.23	1199	5.67	1291	6.58	1383	7.57	1477	8.65	1572	9.81
5125	3339	1131	5.31	1178	5.75	1223	6.20	1311	7.13	1398	8.13	1487	9.20	1576	10.28
5375	3502	1159	5.85	1205	6.31	1249	6.77	1333	7.73	1417	8.74	1500	9.81	1585	10.97
5625	3665	1187	6.43	1232	6.91	1275	7.39	1357	8.37	1437	9.40	1511	10.49	1597	11.64
5875	3827	1215	7.05	1260	7.55	1302	8.05	1382	9.07	1459	10.12	1536	11.22	1612	12.38
6125	3990	1243	7.72	1288	8.24	1329	8.76	1408	9.81	1483	10.88	1557	12.00	1630	13.17

## ATEX-19 SINGLE INLET CENTRIFUGAL FAN - UNITARY FAN

Outlet Area=2.09ft<sup>2</sup> Wheel Dia.=19.5Inch Tip Speed=RPM×5.1  
Max Wheel RPM: Des.1= 1176, Des.2= 1372, Des.3= 1569

Table8(Cont.)

Volume of Air (CFM)	Outlet Velocity (FPM)	0.5 InWG		0.75 InWG		1.0 InWG		1.25 InWG		1.5 InWG		2.0 InWG		2.5 InWG	
		RPM	BHP	RPM	BHP	RPM	BHP	RPM	BHP	RPM	BHP	RPM	BHP	RPM	BHP
1500	718	374	0.20	467	0.31										
1650	789	371	0.21	463	0.33	542	0.46	606	0.59						
1950	933	371	0.26	455	0.38	534	0.52	602	0.67	663	0.82				
2250	1076	381	0.31	452	0.43	526	0.58	595	0.74	657	0.91	766	1.26		
2550	1220	396	0.39	458	0.51	522	0.65	587	0.82	649	1.00	760	1.38	856	1.78
2850	1364	413	0.47	471	0.60	526	0.74	583	0.91	641	1.09	752	1.50	850	1.93
3150	1507	432	0.58	486	0.72	537	0.86	587	1.02	639	1.20	744	1.62	842	2.08
3450	1651	452	0.69	504	0.85	552	1.00	597	1.17	643	1.34	738	1.75	833	2.23
3750	1749			522	1.00	568	1.16	611	1.34	653	1.51	738	1.92	826	2.39
4050	1938			541	1.17	586	1.34	627	1.53	666	1.71	744	2.11	824	2.57
4350	2081			562	1.36	604	1.55	644	1.74	682	1.93	755	2.35	828	2.80
4650	2225					623	1.78	662	1.98	699	2.18	768	2.61	836	3.06
4950	2368					644	2.03	680	2.25	716	2.46	784	2.90	847	3.37
5250	2512							700	2.54	734	2.76	800	3.22	861	3.70
5550	2655							721	2.85	754	3.10	817	3.57	877	4.07
5850	2799									774	3.45	835	3.96	893	4.48
6150	2943											853	4.37	910	4.91
6450	3086											873	4.83	928	5.38
6750	3230											893	5.32	947	5.89
7050	3373											914	5.84	965	6.44
7350	3517													985	7.03

Volume of Air (CFM)	Outlet Velocity (FPM)	3.0 InWG		3.5 InWG		4.0 InWG		5.0 InWG		6.0 InWG		7.0 InWG		8.0 InWG	
		RPM	BHP	RPM	BHP	RPM	BHP	RPM	BHP	RPM	BHP	RPM	BHP	RPM	BHP
1500	718														
1650	789														
1950	933														
2250	1076														
2550	1220														
2850	1364	937	2.37												
3150	1507	931	2.56	1010	3.04										
3450	1651	923	2.74	1004	3.26	1079	3.79								
3750	1749	914	2.91	996	3.47	1072	4.03								
4050	1938	906	3.10	987	3.67	1064	4.27	1203	5.49						
4350	2081	903	3.31	979	3.88	1054	4.50	1195	5.79	1320	7.12				
4650	2225	905	3.57	975	4.13	1047	4.74	1186	6.08	1312	7.47	1425	8.90		
4950	2368	911	3.87	976	4.42	1043	5.02	1176	6.37	1303	7.82	1418	9.32		
5250	2512	921	4.21	981	4.76	1043	5.35	1196	6.68	1294	8.17	1410	9.73	1519	11.32
5550	2655	934	4.59	990	5.14	1048	5.72	1166	7.04	1285	8.52	1401	10.13	1510	11.79
5850	2799	948	5.01	1002	5.57	1056	6.15	1166	7.44	1279	8.91	1392	10.53	1501	12.25
6150	2943	964	5.46	1016	6.03	1067	6.62	1170	7.91	1276	9.36	1385	10.97	1491	12.71
6450	3086	981	5.95	1031	6.54	1081	7.14	1178	8.43	1277	9.86	1380	11.45	1483	13.19
6750	3230	998	6.48	1047	7.08	1095	7.70	1188	9.00	1282	10.42	1378	11.99	1477	13.71
7050	3373	1016	7.04	1064	7.67	1111	8.30	1200	9.62	1289	11.04	1381	12.59	1474	14.29
7350	3517	1034	7.64	1082	8.29	1127	8.94	1214	10.29	1300	11.72	1386	13.26	1474	14.94



**ATEX-22 SINGLE INLET CENTRIFUGAL FAN - UNITARY FAN**

Outlet Area=2.54ft<sup>2</sup>    Wheel Dia.=22.75Inch    Tip Speed=RPM×5.95  
 Max Wheel RPM: Des.1= 1008, Des.2= 1176, Des.3= 1344

Table8(Cont.)

Volume of Air (CFM)	Outlet Velocity (FPM)	0.5 InWG		0.75 InWG		1.0 InWG		1.25 InWG		1.5 InWG		2.0 InWG		2.5 InWG	
		RPM	BHP	RPM	BHP	RPM	BHP	RPM	BHP	RPM	BHP	RPM	BHP	RPM	BHP
2250	887	314	0.29	393	0.46										
2500	986	315	0.33	389	0.49	454	0.68								
3000	1183	322	0.41	385	0.58	447	0.78	503	0.99	558	1.22				
3500	1381	337	0.54	390	0.71	444	0.91	498	1.13	550	1.38	644	1.91		
4000	1578	355	0.69	403	0.87	449	1.07	497	1.30	544	1.55	636	2.11	719	2.71
4500	1775	376	0.88	420	1.07	461	1.28	503	1.51	545	1.76	629	2.32	710	2.95
5000	1972	398	1.12	439	1.32	478	1.54	515	1.77	552	2.02	628	2.58	703	3.22
5500	2170	421	1.38	460	1.61	496	1.84	531	2.08	565	2.34	633	2.91	701	3.54
6000	2367			482	1.95	516	2.19	549	2.45	580	2.72	643	3.30	705	3.94
6500	2564			505	2.35	537	2.60	569	2.87	598	3.15	656	3.75	713	4.39
7000	2761			530	2.78	559	3.07	589	3.35	618	3.64	673	4.26	726	4.92
7500	2958					583	3.61	611	3.90	638	4.20	691	4.84	741	5.52
8000	3156					607	4.18	634	4.52	660	4.83	710	5.49	759	6.19
8500	3353							658	5.21	682	5.53	730	6.21	777	6.94
9000	3550							682	5.94	705	6.32	752	7.02	797	7.76
9500	3747									728	7.14	774	7.91	817	8.67
10000	3945											796	8.89	838	9.67
10500	4142											820	9.96	860	10.77
11000	4340											844	11.08	882	11.91
11500	4536														
12000	4738														

Volume of Air (CFM)	Outlet Velocity (FPM)	3.0 InWG		3.5 InWG		4.0 InWG		5.0 InWG		6.0 InWG		7.0 InWG		8.0 InWG	
		RPM	BHP	RPM	BHP	RPM	BHP	RPM	BHP	RPM	BHP	RPM	BHP	RPM	BHP
2250	887														
2500	986														
3000	1183														
3500	1381														
4000	1578														
4500	1775	785	3.63												
5000	1972	777	3.93	846	4.66										
5500	2170	770	4.25	838	5.02	902	5.80								
6000	2367	768	4.64	831	5.40	894	6.23								
6500	2564	771	5.09	829	5.86	888	6.68	999	8.46						
7000	2761	779	5.63	833	6.39	886	7.21	995	9.02	1099	10.98				
7500	2958	791	6.24	840	7.01	890	7.83	992	9.63	1092	11.63	1188	13.76		
8000	3156	805	6.93	851	7.71	898	8.54	992	10.33	1087	12.33	1181	14.50		
8500	3353	821	7.70	865	8.49	909	9.33	996	11.13	1086	13.12	1175	15.29	1262	17.58
9000	3550	839	8.55	881	9.36	922	10.21	1005	12.03	1088	14.02	1172	16.18	1257	18.52
9500	3747	858	9.48	899	10.32	938	11.19	1016	13.03	1094	15.02	1173	17.18	1254	19.51
10000	3945	878	10.50	917	11.36	955	12.25	1030	14.13	1103	16.14	1178	18.30	1254	20.62
10500	4142	898	11.61	936	12.50	973	13.41	1045	15.32	1115	17.36	1186	19.53	1257	21.85
11000	4340	920	12.83	956	13.73	992	14.67	1061	16.62	1129	18.69	1196	20.89	1264	23.21
11500	4536	942	14.15	977	15.07	1012	16.03	1079	18.03	1145	20.14	1209	22.36	1273	24.69
12000	4738	964	15.57	998	16.52	1032	17.49	1098	19.54	1161	21.69	1223	23.94	1285	26.30

**ATEX-26 SINGLE INLET CENTRIFUGAL FAN - UNITARY FAN**

Outlet Area=3.33ft<sup>2</sup> Wheel Dia.=26Inch Tip Speed=RPM×6.8  
Max Wheel RPM: Des.1= 882, Des.2= 1029, Des.3= 1176

Table8(Cont.)

Volume of Air (CFM)	Outlet Velocity (FPM)	0.5 InWG		0.75 InWG		1.0 InWG		1.25 InWG		1.5 InWG		2.0 InWG		2.5 InWG	
		RPM	BHP	RPM	BHP	RPM	BHP	RPM	BHP	RPM	BHP	RPM	BHP	RPM	BHP
3000	902	267	0.37	336	0.58										
3250	977	268	0.40	332	0.64	392	0.59								
3750	1128	274	0.49	327	0.69	383	0.94	435	1.22						
4250	1278	284	0.60	330	0.80	378	1.04	427	1.32	473	1.61				
4750	1428	297	0.74	338	0.95	379	1.18	422	1.45	466	1.76	551	2.47		
5250	1579	311	0.90	349	1.12	386	1.36	424	1.62	462	1.91	542	2.62	619	3.45
5750	1729	326	1.09	362	1.33	396	1.57	430	1.84	464	2.12	536	2.80	609	3.62
6250	1880	342	1.31	376	1.57	407	1.83	439	2.10	470	2.38	534	3.04	601	3.82
6750	2030	358	1.56	390	1.83	421	2.11	450	2.39	479	2.69	536	3.34	597	4.09
7250	2180	375	1.83	406	2.14	435	2.43	462	2.73	489	3.04	543	3.69	597	4.43
7750	2331			422	2.48	449	2.79	476	3.10	501	3.43	552	4.10	602	4.83
8250	2481			438	2.86	465	3.19	490	3.52	515	3.86	562	4.55	609	5.30
8750	2631			464	3.26	481	3.62	505	3.98	529	4.33	574	5.06	619	5.82
9250	2782					497	4.10	520	4.48	543	4.85	587	5.61	629	6.39
9750	2932					513	4.63	536	5.03	558	5.42	601	6.21	641	7.02
10500	3158					539	5.19	560	5.96	582	6.38	622	7.23	660	8.09
11500	3458							610	7.26	614	7.82	652	8.75	688	9.68
12500	3760									664	9.38	684	10.50	718	11.50
13500	4060											716	12.50	749	13.58
14500	4361											749	14.63	797	15.78
15500	4661														

Volume of Air (CFM)	Outlet Velocity (FPM)	3.0 InWG		3.5 InWG		4.0 InWG		5.0 InWG		6.0 InWG		7.0 InWG		8.0 InWG	
		RPM	BHP	RPM	BHP	RPM	BHP	RPM	BHP	RPM	BHP	RPM	BHP	RPM	BHP
3000	902														
3250	977														
3750	1128														
4250	1278														
4750	1428														
5250	1579														
5750	1729														
6250	1880	665	4.71												
6750	2030	659	4.97	719	5.94										
7250	2180	654	5.28	712	6.24	768	7.27								
7750	2331	654	5.66	707	6.58	761	7.62								
8250	2481	657	6.11	706	7.01	756	8.01	856	10.27						
8750	2631	663	6.63	708	7.52	754	8.49	850	10.72						
9250	2782	671	7.22	713	8.10	756	9.05	845	11.22	935	13.70				
9750	2932	681	7.87	721	8.75	761	9.70	844	11.82	929	14.28	1017	16.66		
10500	3158	698	8.97	735	9.88	772	10.84	848	12.93	925	15.30	1005	17.99	1080	20.76
11500	3458	723	10.62	758	11.59	792	12.58	859	14.67	928	16.98	1000	19.55	1071	22.41
12500	3760	751	12.52	783	13.55	815	14.59	877	16.75	940	19.06	1003	21.56	1068	24.31
13500	4060	781	14.67	811	15.77	841	16.87	900	19.14	958	21.50	1015	24.00	1073	26.69
14500	4361	811	17.09	841	18.26	869	19.44	925	21.83	979	24.28	1032	26.83	1086	29.52
15500	4661	843	19.80	871	21.05	899	22.30	952	24.83	1003	27.40	1053	30.04	1104	32.77

**ATEX-29 SINGLE INLET CENTRIFUGAL FAN - UNITARY FAN**

Outlet Area=4.12ft<sup>2</sup> Wheel Dia.=29.25Inch Tip Speed=RPM×7.65  
Max Wheel RPM: Des.1= 784, Des.2= 915, Des.3= 1045

Table8(CONT.)

Volume of Air (CFM)	Outlet Velocity (FPM)	0.5 InWG		0.75 InWG		1.0 InWG		1.25 InWG		1.5 InWG		2.0 InWG		2.5 InWG	
		RPM	BHP	RPM	BHP	RPM	BHP	RPM	BHP	RPM	BHP	RPM	BHP	RPM	BHP
4000	960	237	0.49	296	0.76										
4250	1020	238	0.53	293	0.79	346	1.12								
4750	1140	243	0.62	291	0.87	340	1.18	388	1.55						
5250	1260	261	0.73	292	0.98	336	1.28	381	1.64	424	2.04				
5750	1380	259	0.86	297	1.11	339	1.40	376	1.75	417	2.15				
6250	1501	268	1.01	304	1.27	339	1.57	375	1.90	412	2.29	487	3.19		
6750	1621	278	1.18	312	1.46	344	1.76	377	2.09	411	2.46	481	3.35	548	4.40
7250	1741	289	1.37	321	1.67	351	1.98	381	2.31	412	2.67	476	3.53	541	4.57
7750	1861	300	1.59	331	1.90	359	2.22	387	2.56	416	2.92	474	3.76	535	4.76
8500	2041	317	1.96	346	2.30	373	2.65	399	3.01	425	3.38	477	4.21	531	5.17
9500	2281	342	2.49	368	2.93	393	3.31	417	3.70	440	4.10	487	4.94	533	5.87
10500	2521			391	3.67	414	4.09	437	4.52	459	4.94	501	5.83	543	6.77
11500	2761			415	4.47	436	5.00	458	5.46	479	5.93	518	6.88	556	7.86
12500	3001					460	5.98	480	6.56	500	7.06	537	8.08	573	9.11
13500	3241							503	7.81	522	8.35	557	9.44	591	10.54
14500	3481							526	9.14	544	9.80	578	10.97	611	12.14
15500	3721									567	11.35	600	12.68	631	13.93
16500	3961											623	14.59	653	15.91
17500	4202											646	16.70	675	18.10
18500	4442											669	18.93	697	20.39
19500	4682														

Volume of Air (CFM)	Outlet Velocity (FPM)	3.0 InWG		3.5 InWG		4.0 InWG		5.0 InWG		6.0 InWG		7.0 InWG		8.0 InWG	
		RPM	BHP	RPM	BHP	RPM	BHP	RPM	BHP	RPM	BHP	RPM	BHP	RPM	BHP
4000	960														
4250	1020														
4750	1140														
5250	1260														
5750	1380														
6250	1501														
6750	1621														
7250	1741														
7750	1861	597	5.76												
8500	2041	587	6.29	638	7.44										
9500	2281	581	6.93	631	8.13	677	9.33								
10500	2521	584	7.81	628	8.95	672	10.21	759	12.98						
11500	2761	594	8.90	633	10.02	672	11.23	753	14.01	830	17.08				
12500	3001	608	10.19	643	11.32	678	12.52	750	15.19	825	18.28	897	21.63		
13500	3241	624	11.67	656	12.83	689	14.04	754	16.68	822	19.66	891	23.03	958	26.61
14500	3481	642	13.34	672	14.55	703	15.80	763	18.45	824	21.37	887	24.62	952	28.24
15500	3721	661	15.19	690	16.47	719	17.77	775	20.48	832	23.39	889	26.57	949	30.07
16500	3961	681	17.25	710	18.59	737	19.96	790	22.75	843	25.70	896	28.86	951	32.28
17500	4202	703	19.51	730	20.93	756	22.36	807	25.27	857	28.29	907	31.47	957	34.87
18500	4442	725	21.99	750	23.49	776	24.99	825	28.03	872	31.15	920	34.39	967	37.80
19500	4682	747	24.71	772	26.28	796	27.85	844	31.04	890	32.78	935	37.60	979	41.05

35

## ATEX-32 SINGLE INLET CENTRIFUGAL FAN - UNITARY FAN

Outlet Area=4.96ft<sup>2</sup> Wheel Dia.=32.5Inch Tip Speed=RPM×8.5  
 Max Wheel RPM: Des.1= 706, Des.2= 823, Des.3= 941

Table8(Cont.)

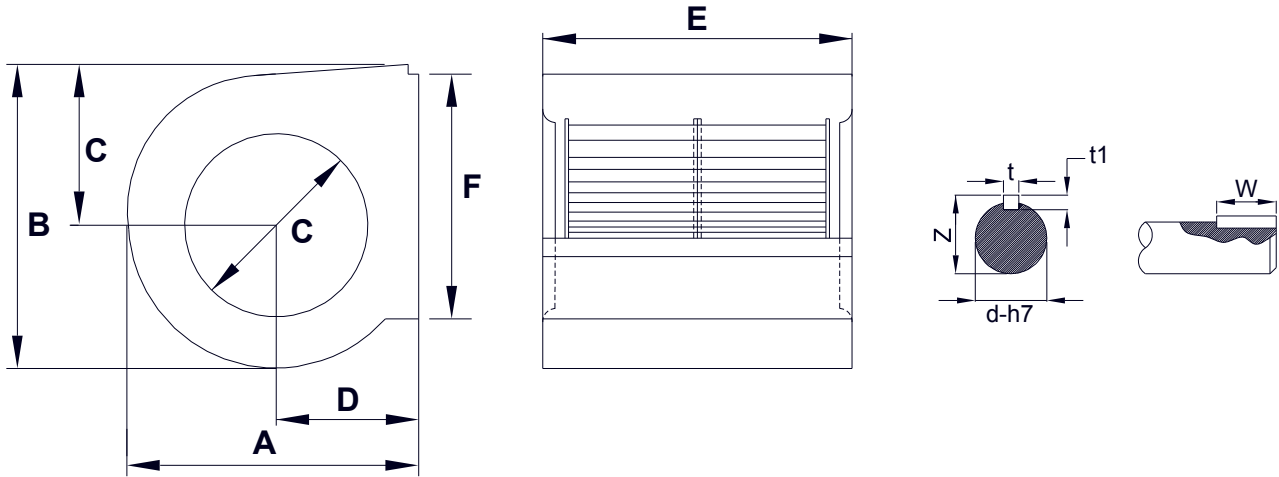
Volume of Air (CFM)	Outlet Velocity (FPM)	0.5 InWG		0.75 InWG		1.0 InWG		1.25 InWG		1.5 InWG		2.0 InWG		2.5 InWG	
		RPM	BHP	RPM	BHP	RPM	BHP	RPM	BHP	RPM	BHP	RPM	BHP	RPM	BHP
5000	1009	214	0.61	266	0.94										
5250	1059	215	0.65	264	0.97	312	1.37								
5750	1160	218	0.74	261	1.05	307	1.44	350	1.90						
6250	1261	223	0.84	262	1.15	303	1.53	345	1.98	385	2.50				
6750	1362	229	0.97	264	1.27	302	1.64	341	2.08	379	2.58				
7250	1463	235	1.10	268	1.42	303	1.78	338	2.20	374	2.69				
7750	1564	242	1.26	274	1.58	305	1.94	337	2.36	371	2.83	440	3.86		
8500	1715	253	1.52	283	1.87	312	2.24	341	2.65	370	3.11	432	4.20	489	5.44
9500	1917	269	1.93	297	2.32	323	2.71	348	3.13	374	3.58	427	4.62	482	5.86
10500	2119	285	2.42	311	2.84	336	3.27	359	3.71	383	4.18	429	5.19	478	6.38
11500	2321	302	2.95	327	3.45	350	3.92	372	4.39	394	4.88	436	5.91	479	7.06
12500	2523			344	4.16	366	4.66	386	5.17	406	5.69	445	6.76	484	7.91
13500	2725			360	4.92	382	5.51	401	6.05	420	6.60	457	7.73	493	8.91
14500	2926					398	6.47	417	7.05	435	7.64	470	8.83	504	10.05
15500	3128					415	7.48	433	8.16	451	8.79	484	10.05	516	11.33
16500	3330							450	9.41	467	10.07	499	11.40	530	12.75
17500	3532							467	10.72	483	11.48	514	12.89	544	14.31
18500	3734									500	13.04	530	14.53	558	16.02
19500	3935									517	14.68	546	16.31	574	17.88
20500	4137											563	18.26	590	19.90
21500	4339											580	20.38	606	22.09

36

Volume of Air (CFM)	Outlet Velocity (FPM)	3.0 InWG		3.5 InWG		4.0 InWG		5.0 InWG		6.0 InWG		7.0 InWG		8.0 InWG	
		RPM	BHP	RPM	BHP	RPM	BHP	RPM	BHP	RPM	BHP	RPM	BHP	RPM	BHP
5000	1009														
5250	1059														
5750	1160														
6250	1261														
6750	1362														
7250	1463														
7750	1564														
8500	1715														
9500	1917	534	7.23												
10500	2119	527	7.75	575	9.47										
11500	2321	523	8.37	569	9.87	613	11.43								
12500	2523	524	9.19	565	10.62	607	12.21	668	15.75						
13500	2725	529	10.18	566	11.57	604	13.10	681	16.61						
14500	2926	537	11.34	571	12.72	605	14.21	676	17.60	746	21.42				
15500	3128	547	12.66	579	14.06	610	15.54	675	18.83	742	22.64	807	26.83		
16500	3330	559	14.14	589	15.56	618	17.06	678	20.31	739	24.00	802	28.18	865	32.71
17500	3532	572	15.76	601	17.23	628	18.76	683	22.01	740	25.63	799	29.69	859	34.21
18500	3734	586	17.53	613	19.07	639	20.64	691	23.94	745	27.52	799	31.49	854	35.88
19500	3935	600	19.47	626	21.07	651	22.70	701	26.06	751	29.66	802	33.57	853	37.86
20500	4137	615	21.56	640	23.24	665	24.92	713	28.39	760	32.03	807	35.93	856	40.15
21500	4339	631	23.83	655	25.57	679	27.33	725	30.91	770	34.63	815	38.55	861	42.74

## DIMENSIONS

### DOUBLE INLET CENTRIFUGAL FAN



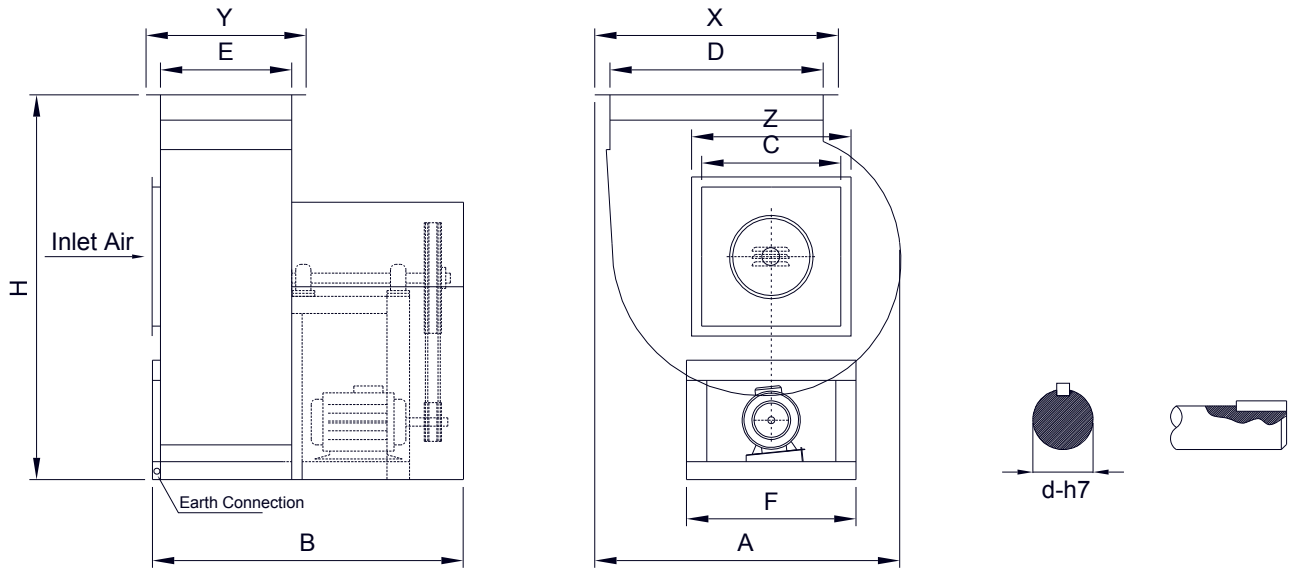
Fan Model	A	B	C	D	E	F	W	Z	t	t1	d-h7
ATEX-11	470	515	300	230	370	370	80	290	80	80	25
ATEX-13	530	580	335	255	370	420	80	290	80	80	25
ATEX-14	570	640	365	275	470	470	80	390	80	80	35
ATEX-16	635	705	410	300	470	520	80	390	80	80	35
ATEX-17	685	775	445	310	500	570	100	390	100	100	35
ATEX-19	725	840	485	335	560	615	100	400	100	100	35
ATEX-22	875	1040	550	420	640	730	100	550	100	100	50
ATEX-26	1070	1205	690	510	740	830	100	550	100	100	50
ATEX-29	1200	1310	770	665	845	910	100	550	100	100	50
ATEX-32	1310	1480	815	620	920	990	100	550	100	100	50

**NOTE:**

All dimensions are in mm

## DIMENSIONS

### SINGLE INLET CENTRIFUGAL FAN (UP-BLAST DISCHARGE)



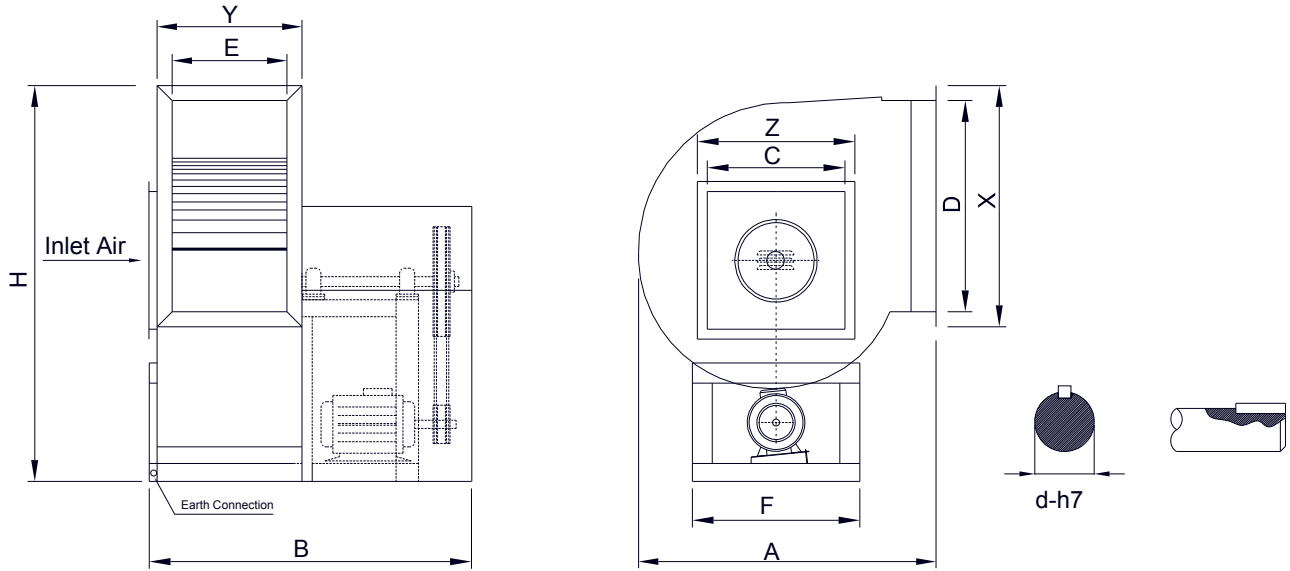
38

Fan Model	A	B	C	D	E	F	H	X	Y	Z	d-h7
ATEX-11	545	720	280	370	190	320	650	430	250	320	25
ATEX-13	610	720	340	420	190	380	700	480	250	380	25
ATEX-14	670	800	360	470	245	400	750	530	305	400	35
ATEX-16	735	800	420	520	245	460	800	580	305	460	35
ATEX-17	810	860	460	570	255	500	850	630	315	500	35
ATEX-19	870	930	510	615	285	550	900	675	345	550	35
ATEX-22	1070	990	570	730	330	610	1050	790	390	610	50
ATEX-26	1235	1070	660	830	380	700	1250	890	440	700	50
ATEX-29	1340	1140	750	910	430	790	1400	970	490	790	50
ATEX-32	1510	1180	840	990	470	880	1500	1050	530	880	50

**NOTE:**  
All dimensions are in mm

## DIMENSIONS

### SINGLE INLET CENTRIFUGAL FAN (FRONT-BLAST DISCHARGE)



Fan Model	A	B	C	D	E	F	H	X	Y	Z	d-h7
ATEX-11	490	720	280	370	190	320	730	430	250	320	25
ATEX-13	545	720	340	420	190	380	780	480	250	380	25
ATEX-14	590	800	360	470	245	400	830	530	305	400	35
ATEX-16	650	800	420	520	245	460	880	580	305	460	35
ATEX-17	700	860	460	570	255	500	980	630	315	500	35
ATEX-19	750	930	510	615	285	550	1030	675	345	550	35
ATEX-22	900	990	570	730	330	610	1230	790	390	610	50
ATEX-26	1095	1070	660	830	380	700	1380	890	440	700	50
ATEX-29	1225	1140	750	910	430	790	1480	970	490	790	50
ATEX-32	1340	1180	840	990	470	880	1680	1050	530	880	50

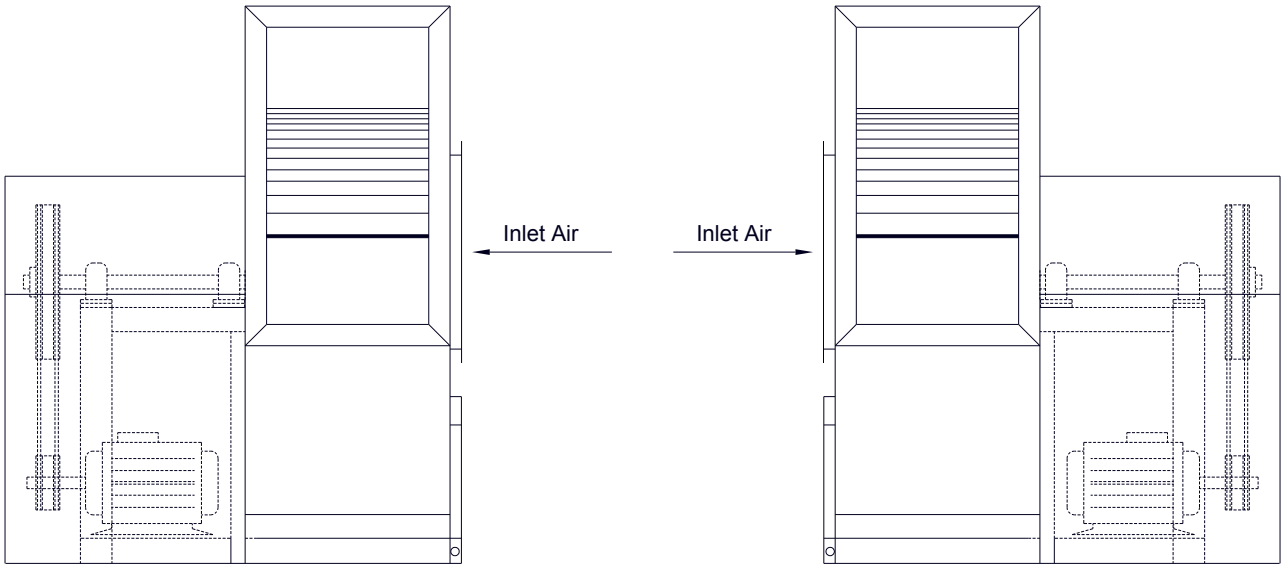
**NOTE:**

All dimensions are in mm

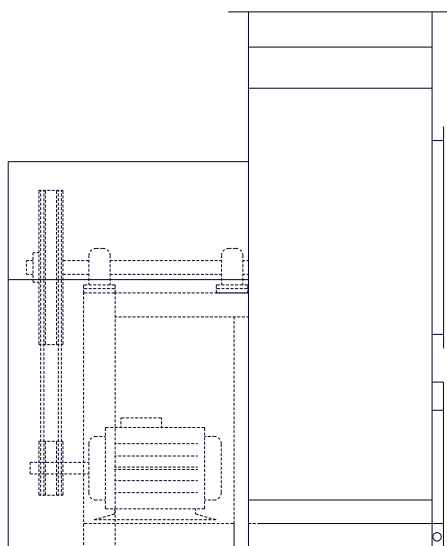
Dimensions are based on maximum pressure drop of 1.5 InWG and for other values, dimensions change according. Dimensions change when anti- spark or explosion proof motors are used.

### CONNECTION Type

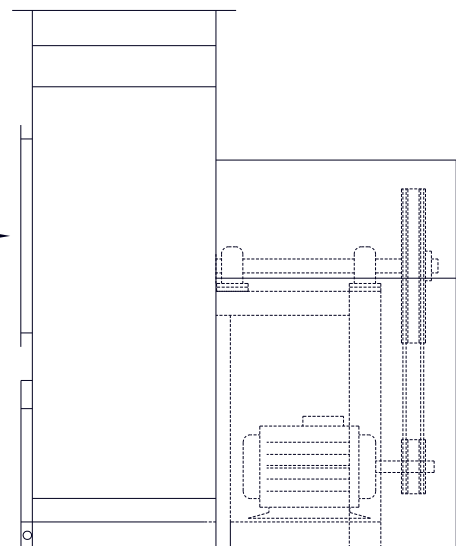
#### SINGLE INLET CENTRIFUGAL FAN (FRONT-BLAST & UP-BLAST DISCHARGE)



40



Left Handed are shown.



Right Handed are shown.